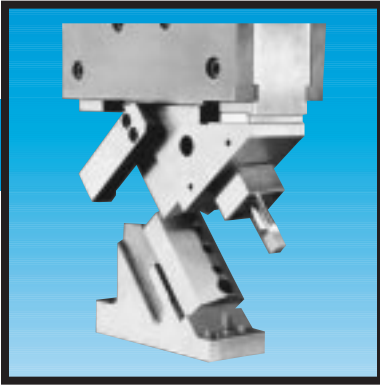


CAM UNITS

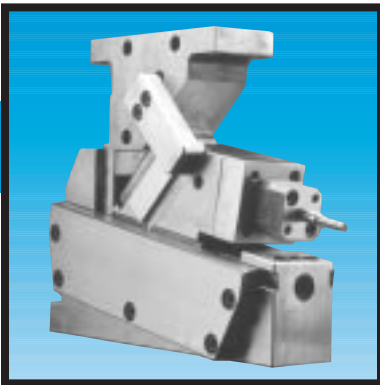




AERIAL CAM SLIDE UNIT

CAM UNIT SIZE	AC075	AC150	AC200
MOUNTING SURFACE (mm)	75X120	150X120	200X120

- Angles available 25°, 30°, 35°, 40°, 45°, 50°
- Special angles available upon request
- All dimensions metric
- Soft mounting surface for standard or custom applications
- Self-lubricating, hardened wear surface
- Removable positive return and spring return
- V-block driver system for positive alignment



DIE MOUNT CAM SLIDE UNIT

CAM UNIT SIZE	DM075	DM150	DM200
MOUNTING SURFACE (mm)	75X75	150X75	200X75

- Angles 0°, 5°, 10°, 15°, 20°, 25°, 30°
- Special angles available upon request
- Self-lubricating, hardened wear surfaces
- Removable positive return and spring return
- Optional 35mm longer length slide
- All dimensions metric
- Soft mounting surface for standard or custom applications



AC300 CAM SLIDE UNIT

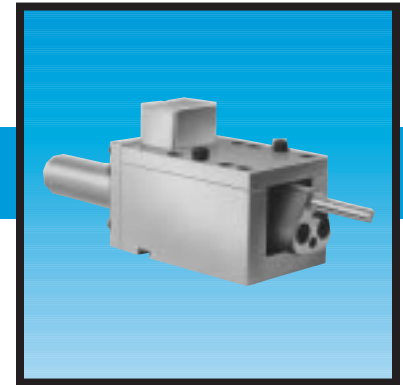
MOUNTING SURFACE (mm) 240mm x 300mm

- Angles 20°, 25°, 30°, 35°, 40°, 45°, 50°, 55°, 60°
- Special angles available upon request
- Self-lubricating, hardened wear surfaces
- V-block driver system for positive alignment
- Removable positive return and spring return
- All dimensions metric
- Soft mounting surface for standard or custom applications

EXTERNAL CAM SLIDE UNIT

CAM UNIT NO.	2	3	4	5
MOUNTING FACE (in.)	1 ⁷ / ₈ SQ.	2 ¹ / ₂ SQ.	4 ³ / ₄ x 2 ³ / ₄	3 ¹ / ₄ SQ.
RECOMMENDED TRAVEL	³ / ₄	1 ⁵ / ₈	1 ⁵ / ₈	2 ¹ / ₂

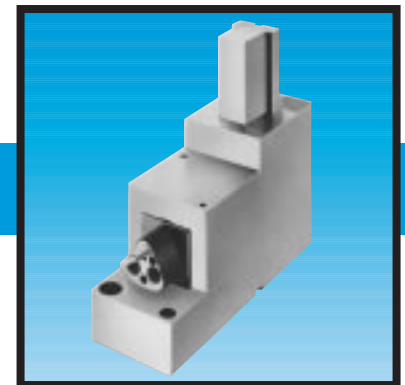
- External spring
- Self-lubricating, self-contained
- Optional longer slides available
- Soft mounting surface for standard or custom applications
- Metric dowel & screw holes available upon request



INTERNAL CAM SLIDE UNIT

CAM UNIT NO.	11	12	13	14	15
MOUNTING FACE (in.)	1 ⁷ / ₈ x 1 ⁵ / ₈	2 ¹ / ₈ SQ.	2 ¹ / ₂ SQ.	4 ³ / ₄ x 2 ⁷ / ₈	3 ¹ / ₄ SQ.
RECOMMENDED TRAVEL	2	2 ¹ / ₂	3 ¹ / ₄	3 ¹ / ₄	3 ¹ / ₄

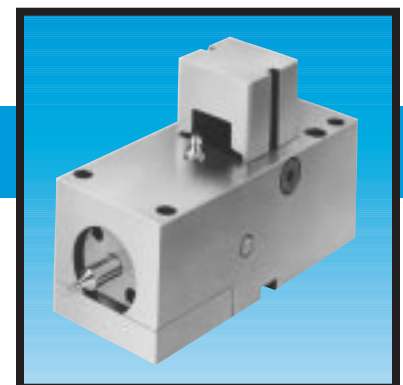
- Internal spring
- Self-lubricating, self-contained
- Optional longer slides available
- Soft mounting surface for standard or custom applications
- Metric dowel & screw holes available upon request



MINI-CAM[®] UNIT

CAM UNIT NO.	101	102	103
RECOMMENDED TRAVEL	³ / ₄	1	1 ³ / ₄

- Internal spring
- Self-contained
- Metric dowels available upon request
- Compact design
- Available with ball lock or headed punch retainer





Die Sets and Diemakers' Supplies



DANLY DIE SET
2115 South 54th Avenue
Chicago, IL 60804-2284
1-800-243-2659
Fax: 1-800-833-2659

www.danly.com



IEM
43700 Twelve Mile Road
Novi, MI 48376
1-810-348-6000
Fax: 1-810-348-8345



© 1998 Danly Die Set.
A Division of Connell Limited Partnership.
All Rights Reserved.