

#70, #72 & #79 LOFT BED INSTRUCTIONS

BOX CONTAINERS

- 1 BOX (2) UPPER BUNK HB/FB (2) LOWER BUNK HB/FB (4) Casters w/Inserts (Hardware: 24 – 30mm Bed Bolts, 24 – Cap Nuts, 8 – 1" x 1" L-Brackets, 16 – 3/4" Screws for L-Brackets & 1 – Hex Key)
- 1 BOX (1) DESK (or Bookcase)
- 1 BOX (1) CHEST
- 1 BOX (1) LADDER (Hardware: 4 – 1-3/4" Wood Screws)
- 1 BOX (2) CLEATED RAILS (2) GUARD RAILS (Hardware: 3 – Twin Bed Wires and 6 – 1" Bed Wire Screws)
- 1 BOX (2) CLEATED RAILS (Hardware: 3 – Twin Bed Wires and 6 – 1" Bed Wire Screws)

ASSEMBLY TOOLS REQUIRED

- PHILLIPS SCREWDRIVER
- HAMMER OR MALLET
- HEX KEY (Provided)

ASSEMBLY INSTRUCTIONS

1. CHECK ALL CARTONS TO BE SURE ALL WOODEN PARTS AND HARDWARE ARE INCLUDED.
2. TO BEGAIN ASSEMBLY, OBTAIN ONE UPPER BUNK HB/FB AND TWO CLEATED RAILS.
3. HOLD THE HB/FB UPRIGHT, INSERT 30mm BED BOLTS THROUGH METAL BRACKET AND BOTTOM HOLES ON HB/FB AND SECURE WITH CAP NUTS AS SHOWN IN FIG. # 1.
4. REPEAT STEP 3 FOR THE OTHER SIDE.
5. ATTACH ANOTHER UPPER BUNK HB/FB TO THE OTHER END USING SAME METHOD AS IN STEPS 3 & 4.
6. OBTAIN ONE GUARD RAIL AND ASSEMBLE TO THE TOP HOLES IN THE UPPER BUNK HEADBOARD IN THE SAME MANNER AS IN STEP 3. REPEAT THIS FOR THE OTHER SIDE.
7. REPEAT STEP 6 FOR OTHER RAIL.
8. NOW POSITION THE UNITS DESK (or Bookcase) AND CHEST IN THE AREA YOU HAVE SELECTED FOR SET-UP.
9. ONCE THE UNITS ARE PROPERLY POSITIONED, YOU CAN LIFT THE UPPER BUNK ASSEMBLY INTO PLACE. THE UPPER BUNK WILL REST DIRECTLY ON TOP OF THE DESK (or Bookcase) AND CHEST. THE BED SHOULD BE POSITIONED APPROXIMATELY 1/2" BACK FROM THE ENDS AND EDGES AS SHOWN IN FIG. # 2.
10. THE LOFT BED MUST BE SECURED INTO POSITION USING THE "L" BRACKETS AND THE 3/4" SCREWS AS SHOWN IN FIG. # 2. DO NOT LEAVE THE UPPER BUNK UNATTACHED, EVEN IF IT ISN'T USED FOR A SLEEPING AREA. IT MAY BE DISLODGED AND FALL RESULTING IN SERIOUS INJURY OR DEATH.
11. TO ASSEMBLE THE LOWER BUNK REPEAT STEPS 2,3,4 AND 5.
12. TURN BED UPSIDE DOWN AND INSERT THE KNOCK-IN INSERTS IN THE PRE-DRILLED HOLES IN THE BOTTOM OF THE HB/FB (A LIGHT TAP WITH A HAMMER OR MALLET WILL SECURE THE INSERTS). PUSH CASTERS INTO INSERTS.
13. TURN BED UPRIGHT AND ROLL BED UNDERNEATH TOP LOFT.
14. ATTACH LADDER WITH 1-3/4" WOOD SCREWS AS SHOWN IN FIG. # 3.

RECOMMENED MATTRESS SIZE

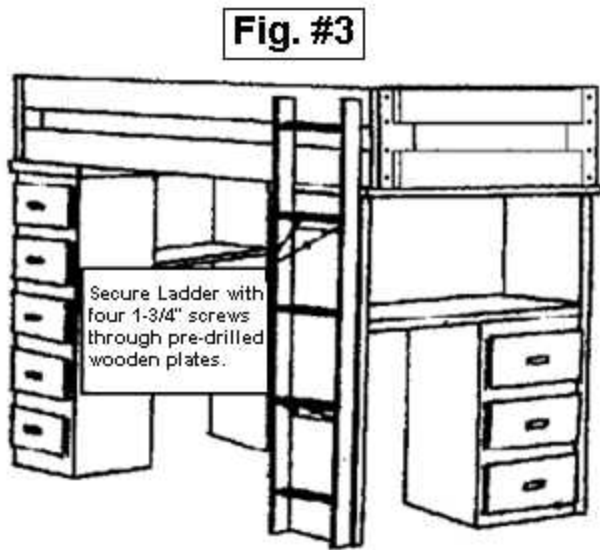
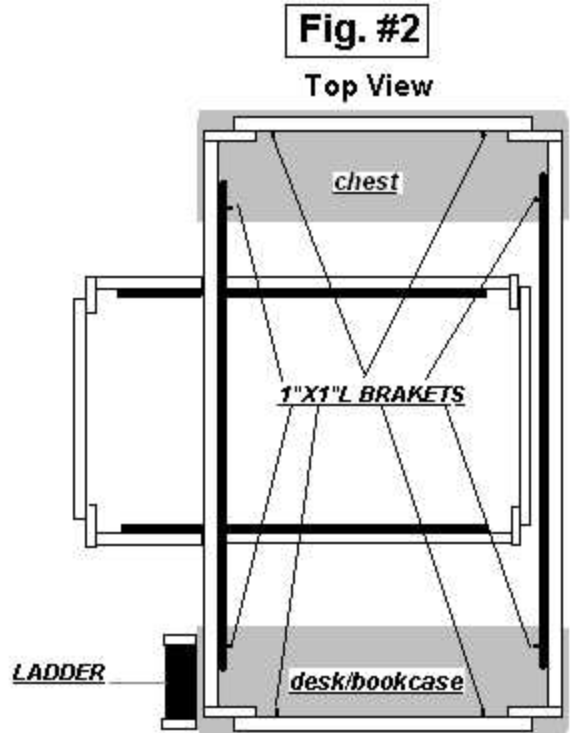
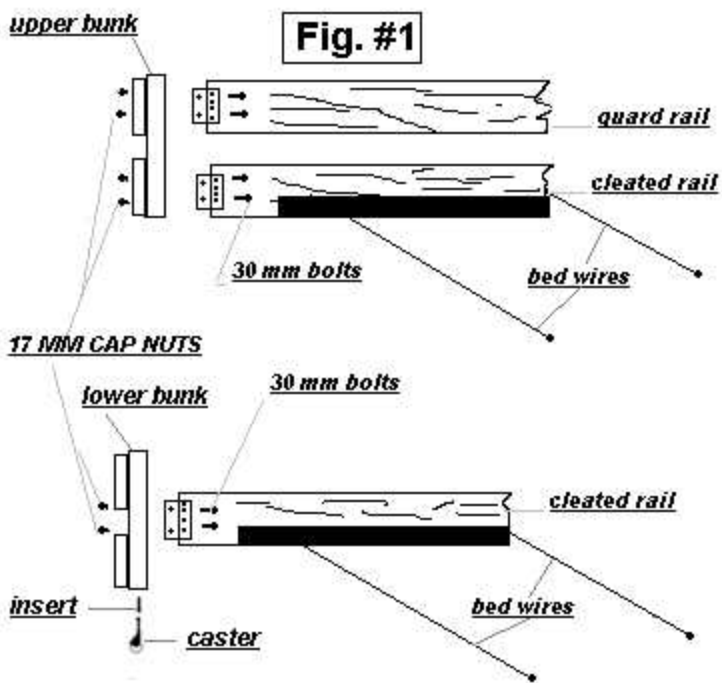
THIS BED IS DESIGNED TO USE MATTRESSES AND FOUNDATIONS 37-1/2" X 74-1/2" (+ OR - 1/2"). THE TOTAL THICKNESS OF BOTH MATTRESS AND FOUNDATION MUST NOT EXCEED 7" FOR TOP BUNK.

NOTE: THERE MUST BE AT LEAST 5" FROM MATTRESS SLEEPING SURFACE TO TOP EDGE OF GUARD RAILS.

SAFETY WARNINGS

1. FOLLOW INFORMATION ON THE WARNING LABEL ATTACHED TO THE UPPER BUNK BED STRUCTURE. DO NOT REMOVE THIS LABEL.
2. DO NOT ALLOW CHILDREN UNDER 6 YEARS OF AGE TO USE UPPER BUNK.
3. DO NOT ALLOW HORSEPLAY ON OR UNDER THE BED AND PROHIBIT JUMPING ON THE BED.
4. ALWAYS USE THE LADDER FOR ENTERING AND EXITING THE UPPER BUNK.
5. ALWAYS USE GUARD RAILS ON BOTH LONG SIDES OF THE UPPER BUNK.
6. THE USE OF WATER OR SLEEP FLOTATION MATTRESSES IS PROHIBITED.
7. KEEP THESE INSTRUCTIONS FOR FUTURE REFERENCES.





#3070



#3972



#3979

