

#61, #61T, #81, #81T, #91, #91T CAPTAIN BED INSTRUCTIONS

CAPTAIN BED CONTAINERS

1 Box (2) HB/FB (Hardware: 8 – 30mm Bed Bolts, 8 – 17mm Cap Nuts & 1 – Hex Key)

NOTE: #81 & 81T beds use 8 - 80mm Bed Bolts, 8 – Weld Nuts & 1 – Hex Key)

1 Box (1) Trundle Unit or Six-Drawer Unit

1 Box (2) Cleated Rails (Hardware: 3 – Bed Wires and 6 – 1" Bed Wire Screws)

TOOLS REQUIRED

PHILLIPS SCREWDRIVER

HEX KEY (Provided)

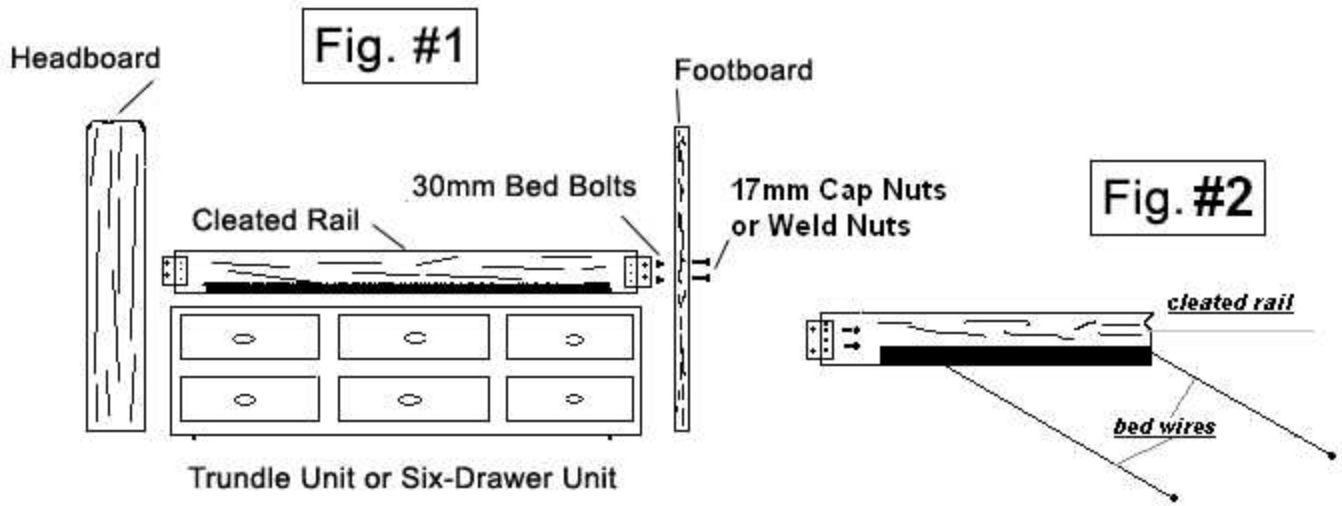
CAPTAIN BED ASSEMBLY INSTRUCTIONS

1. CHECK CARTONS TO BE SURE ALL WOODEN PARTS AND HARDWARE ARE INCLUDED.
2. TO BEGAIN ASSEMBLY, OBTAIN FOOTBOARD AND TWO CLEATED RAILS.
3. HOLD THE FB UPRIGHT AND INSERT BED BOLTS THROUGH HOLES ON FB AND METAL BRACKET ON RAIL AND SECURE WITH CAP NUTS (AS SHOWN IN FIG. #1).
4. REPEAT STEP 3 FOR THE OTHER SIDE.
5. ATTACH HEADBOARD TO THE OTHER END USING SAME METHOD AS IN STEPS 3 & 4.
6. OBTAIN TRUNDLE UNIT or SIX-DRAWER UNIT AND SLIDE UNDERNEATH BED.
7. IF SIX-DRAWER UNIT IS BEING USED, THEN REMOVE TOP DRAWERS AND LOCATE PRESET 2" WOOD SCREWS ON SIDE OF UNIT.
8. SECURE WOOD SCREWS INTO SIDE OF HB/FB.
9. ATTACH BED WIRES TO BOTH ENDS OF RAILS (AS SHOWN IN FIG. #2) ON TOP OF WOODEN CLEAT APPROXIMATELY 12" FROM END OF RAIL AND CENTER OF RAIL BY USING 1" BED WIRE SCREWS.

RECOMMENED MATTRESS SIZE

THIS BED IS DESIGNED TO USE MATTRESSES 37 1/2" X 74" AND BUNKIE BOARDS 37 1/2" X 74".





NOTE: #3981 & 3981T uses 80mm Bed Bolts with Weld Nuts

#3961T



#3991



#3981



#3981T

