

## **#73 & #77 TWIN/FULL LOFT BED INSTRUCTIONS**

### **BOX CONTAINERS**

- 1 BOX (1) TWIN LONG HB (1) TWIN SHORT FB (Hardware: 16 – 30mm Bed Bolts, 16 – 17mm Cap Nuts, 4 – 1" x 1" L-Brackets, 8 – 3/4" Screws for L-Brackets & 1 – Hex Key)
- 1 BOX (2) FULL HB/FB (4) Casters w/Inserts (Hardware: 8 – 30mm Bed Bolts, 8 – 17mm Cap Nuts)
- 1 BOX (1) DESK (or Ten-Drawer Chest)
- 1 BOX (1) LADDER (Hardware: 4 – 1-3/4" Wood Screws)
- 1 BOX (2) CLEATED RAILS (2) GUARD RAILS (Hardware: 3 – Twin Bed Wires and 6 – 1" Bed Wire Screws)
- 1 BOX (2) CLEATED RAILS (Hardware: 3 – Full Bed Wires and 6 – 1" Bed Wire Screws)

### **ASSEMBLY TOOLS REQUIRED**

- PHILLIPS SCREWDRIVER
- HAMMER OR MALLET
- HEX KEY (Provided)

### **ASSEMBLY INSTRUCTIONS**

1. CHECK ALL CARTONS TO BE SURE ALL WOODEN PARTS AND HARDWARE ARE INCLUDED.
2. POSITION THE UNITS DESK OR CHEST IN THE AREA YOU HAVE SELECTED FOR SET-UP
3. TO BEGAIN ASSEMBLY, OBTAIN TWIN LONG HB AND TWO CLEATED RAILS. **NOTE:** REST RAILS ON TOP OF DESK/CHEST.
4. HOLD THE HB UPRIGHT, INSERT 30mm BED BOLTS THROUGH METAL BRACKET AND BOTTOM HOLES ON HB AND SECURE WITH CAP NUTS AS SHOWN IN FIG. # 1.
5. REPEAT STEP 3 FOR THE OTHER SIDE.
6. ATTACH TWIN SHORT FB TO THE OTHER END USING SAME METHOD AS IN STEPS 3 & 4.
7. OBTAIN ONE GUARD RAIL AND ASSEMBLE TO THE TOP HOLES IN THE HEADBOARD IN THE SAME MANNER AS IN STEP 3. REPEAT THIS FOR THE FOOTBOARD.
8. REPEAT STEP 6 FOR OTHER GUARD RAIL.
9. THE UPPER BUNK WILL REST DIRECTLY ON TOP OF THE DESK/CHEST. THE BED SHOULD BE POSITIONED APPROXIMATELY 1/2" BACK FROM THE ENDS AND EDGES AS SHOWN IN FIG. # 2.
10. THE LOFT BED MUST BE SECURED INTO POSITION USING THE "L" BRACKETS AND THE 3/4" SCREWS AS SHOWN IN FIG. # 2. DO NOT LEAVE THE UPPER BUNK UNATTACHED, EVEN IF IT ISN'T USED FOR A SLEEPING AREA. IT MAY BE DISLODGED AND FALL RESULTING IN SERIOUS INJURY OR DEATH.
11. TO ASSEMBLE THE BOTTOM FULL BED REPEAT STEPS 3,4,5 AND 6.
12. TURN BED UPSIDE DOWN AND INSERT THE KNOCK-IN INSERTS IN THE PRE-DRILLED HOLES IN THE BOTTOM OF THE HB/FB (A LIGHT TAP WITH A HAMMER OR MALLET WILL SECURE THE INSERTS). PUSH CASTERS INTO INSERTS.
13. TURN BED UPRIGHT AND ROLL BED UNDERNEATH UPPER BUNK.
14. ATTACH LADDER TO DESK OR CHEST BY USING 1-3/4" WOOD SCREWS THROUGH THE PRE-DRILLED HOLES ON THE WOODEN PLATES OF LADDER.

### **RECOMMENED MATTRESS SIZE**

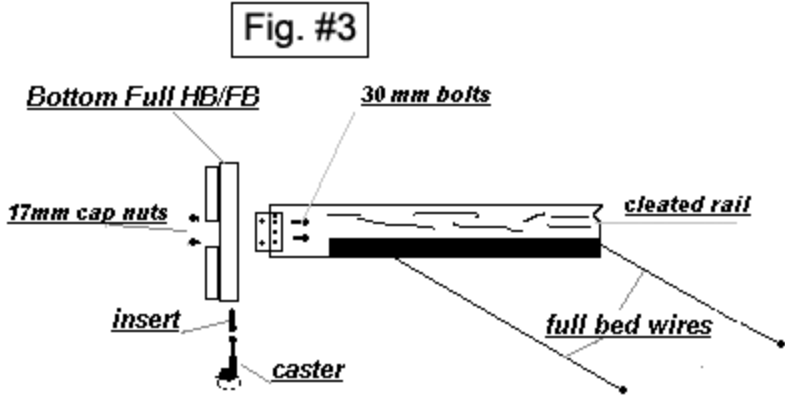
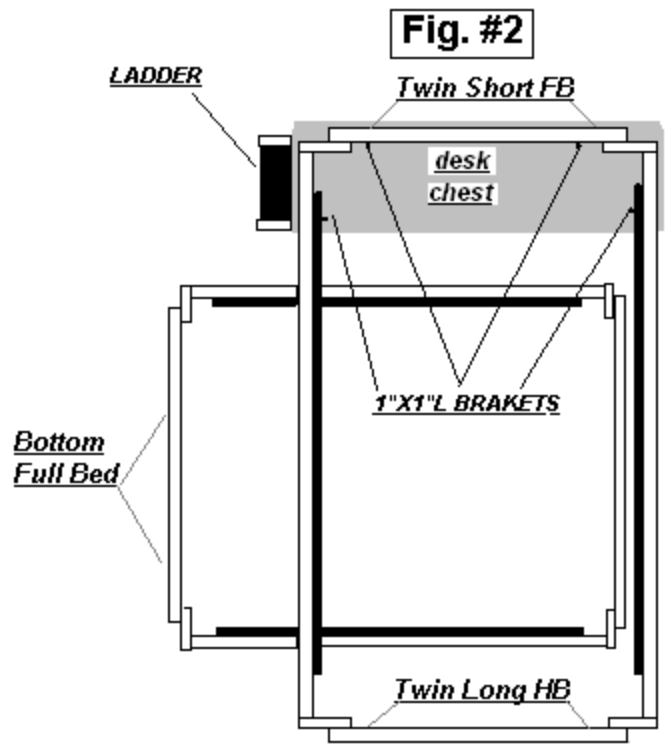
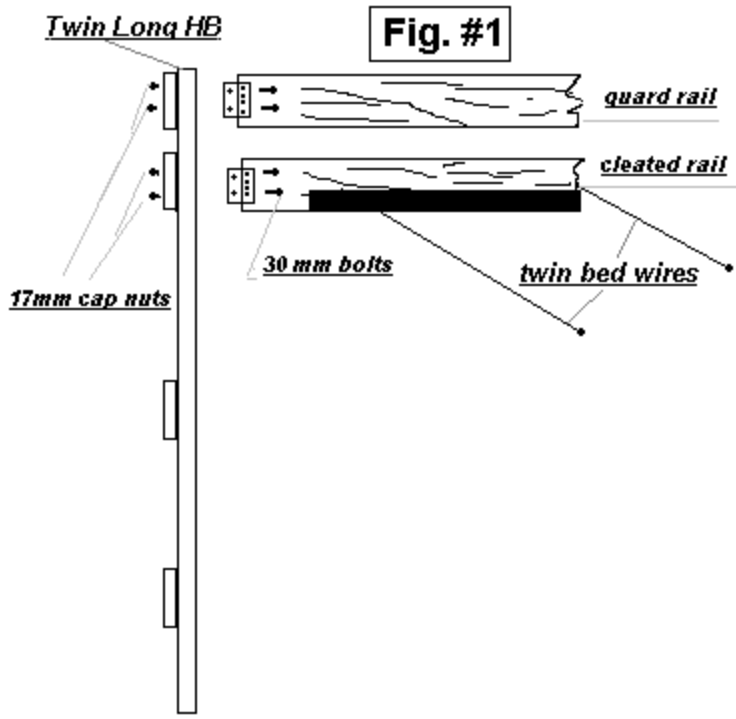
THIS BED IS DESIGNED TO USE MATTRESSES AND FOUNDATIONS 37-1/2" X 74-1/2" (+ OR - 1/2"). THE TOTAL THICKNESS OF BOTH MATTRESS AND FOUNDATION MUST NOT EXCEED 7" FOR TOP BUNK.

**NOTE:** THERE MUST BE AT LEAST 5" FROM MATTRESS SLEEPING SURFACE TO TOP EDGE OF GUARD RAILS.

### **SAFETY WARNINGS**

1. FOLLOW INFORMATION ON THE WARNING LABEL ATTACHED TO THE UPPER BUNK BED STRUCTURE. DO NOT REMOVE THIS LABEL.
2. DO NOT ALLOW CHILDREN UNDER 6 YEARS OF AGE TO USE UPPER BUNK.
3. DO NOT ALLOW HORSEPLAY ON OR UNDER THE BED AND PROHIBIT JUMPING ON THE BED.
4. ALWAYS USE THE LADDER FOR ENTERING AND EXITING THE UPPER BUNK.
5. ALWAYS USE GUARD RAILS ON BOTH LONG SIDES OF THE UPPER BUNK.
6. THE USE OF WATER OR SLEEP FLOTATION MATTRESSES IS PROHIBITED.
7. KEEP THESE INSTRUCTIONS FOR FUTURE REFERENCES.





#3977



#3973

