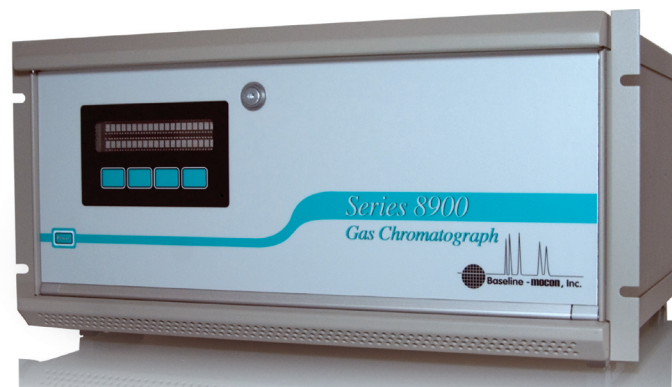


Series 8900

Gas Chromatograph



Analyzer

The Baseline® Series 8900 is a multi-purpose gas chromatograph designed to continuously monitor single or multiple gas components in a wide range of applications.

The analyzer is microprocessor based and contains powerful embedded firmware. This makes it an online instrument with GC technology that is virtually transparent to the end user. There are a variety of state of the art detector, calibration and gas train options offering the flexibility and precision necessary to analyze from sub-parts per billion (sub-ppb) to percent levels.

The 8900's automatic calibration is ideal for unattended operation. It can be set up on a bench-top or rack-mounted, and its compact size makes it transportable. There are a variety of industry standard outputs, such as network (LAN), RS232, multiple 4-20 mA or 0-20 mA, and multiple relays for concentration alarms, diagnostics or user specified timed events.

Gas chromatography applications are configured at the factory before delivery by running the SkyChrom™ software from Baseline®. The computer can be disconnected and the analyzer will operate independently. When connected to SkyChrom™, data can be collected in a universal text format with a user definable data export utility for custom reports. Chromatograms can be stored continuously or based on events such as alarms. Detector options include Photoionization Detector (PID), Flame Ionization Detector (FID) and Thermal Conductivity Detector (TCD).

Applications

- Well logging - fast C1-C5
- Area monitoring of toxic gases for industrial hygiene and safety - Ethylene Oxide, Acrylonitrile, Butadiene, Styrene, Epichlorohydrin and many others
- Fenceline (perimeter) monitoring around industrial and remediation sites - BTEX and other VOC's
- Scrubber efficiency – hydrocarbons and VOC's
- Carbon bed breakthrough detection - solvents and organic compounds
- Quality Assurance Monitoring, contaminant analysis or blending of industrial gases
- Methane/Non-methane analysis
- A list of over 200 detectable gases is available upon request

Features

- Accurate & specific to a wide variety and range of gases
- Continuous unattended operation, operates with or without a computer
- Automatic calibration and baseline correction for long-term stability
- Outputs include digital, user definable analog and user definable logic
- PC based SkyChrom™ software stores multiple analytical methods and chromatograms
- Multipoint sampling options
- Onboard short-term data storage



CERTIFIED ISO 9001:2000

Series 8900

Gas Chromatograph

Specifications

Sampling:

Single point analyzer for pre-filtered (≤ 0.1 microns), non-condensing samples

Internal 4, 8, 16 point sampling options (not available on an FID)

Valves: Standard: (1) 10-Port valve (additional valves optional)

Columns: Packed or capillary (application specific)

Calibration: Automatic or Manual using a dedicated standard

Detector: Single or Dual detector

Oven Temperature: Ambient to 302 °F (150 °C) \pm 0.2 °F (0.1 °C)

Output:

Analog - Standard: (1) 0-20 mA or 4-20 mA loop power supplied, isolated.

Digital - Standard: RS-232 output, LAN (Local Area Network)

Relays: Standard: (5) programmable (latched/not, NE/NNE, NO/NC) as contact closure (1A @ 30Vdc).

Physical Dimensions: 17.41" (44.2cm) W x 9.36" (23.8cm) H x 14.83" (37.7cm) D

Nominal weight: 30 lb (13.64 kg).

Configuration: Bench-top or rack-mount (19" panel)

Display: Digital vacuum fluorescent, 20 characters x 2 lines

Power: 90-260 VAC, @ 50-60 Hz (as specified)

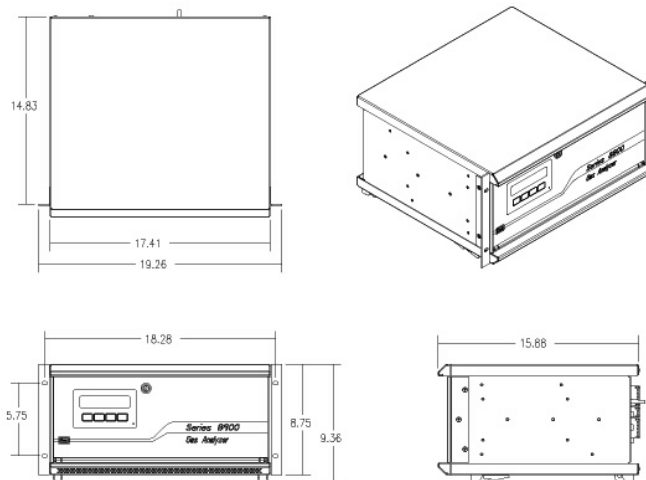
Operating Conditions

Temperature: 32-104 °F (0-40 °C)

Humidity: 0-95%, non-condensing

Gas Connections: 1/4" (6.35mm) or 1/8" (3.175mm) O.D. tube fitting connectors or consult Baseline®

Enclosures: General purpose, wallmount, X-purged or Z-purged



Options & Accessories

Samplers:

Built-in or external sample pump

Injection port (on sample loop)

8950 Multipoint Sampler (4/8/16 pt) w/ up to 16 analog outputs & 32 relays

Detectors:

Photoionization (PID) 10.6 eV or 11.7 eV

High-sensitivity (PID) <50ppt Benzene

Flame Ionization (FID)

Thermal Conductivity (TCD)

Consult Baseline® for other options.

Outputs

Analog output board - up to 20 additional programmable 4-20 mA outputs

Voltage outputs - 0-1 V, 0-5 V or 0-10 V (others on request)

Relay board - up to 32 additional programmable relays

Inputs: Optional digital input board for 3 contact closure inputs. Supports start analysis, start calibration, and analyze calibration gas as sample.

Software: SkyChrom™ external integration, GC setup and data acquisition software for PC

Gas Generators: Zero air or hydrogen

Calibration Methods: Gas cylinder, 8990 Permeation Calibrator, response factors

D010.1

P.O. Box 649, 19661 Highway 36 • Lyons, CO 80540

P: 1.800.321.4665 • 1.303.823.6661 F: 303.823.5151 E: Sales@BaselineIndustries.com