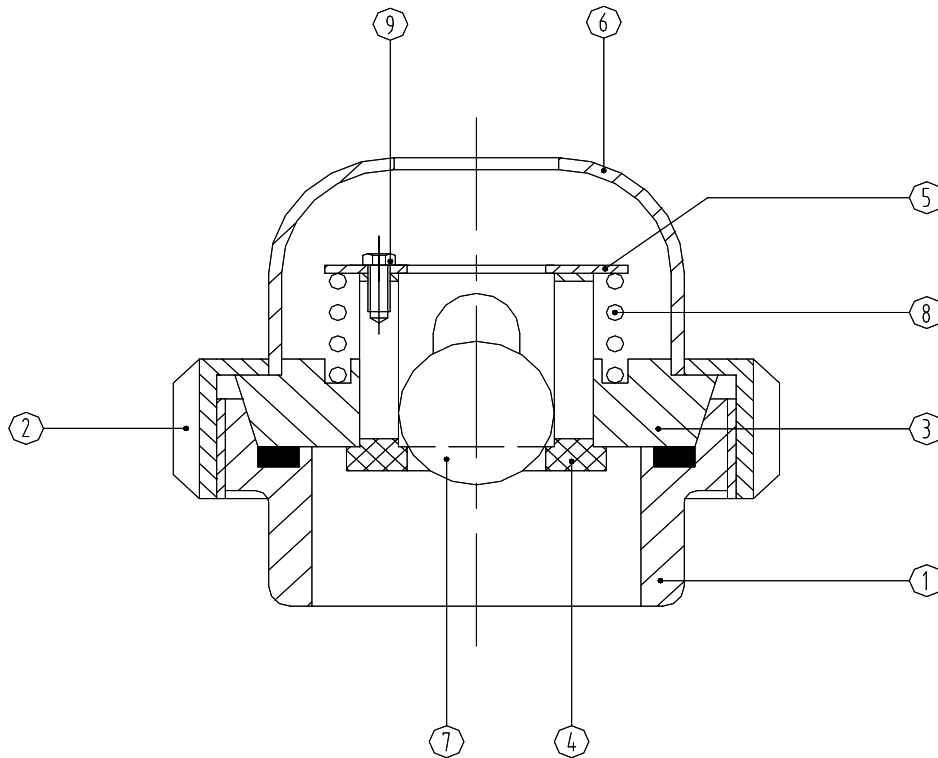


Vacuum pressure valve

CODE 645L



- 1. Male part
- 2. Nut
- 3. Taper blank
- 4. Locking device
- 5. Upper disc
- 6. Cap
- 7. Ball
- 8. Vacuum spring
- 9. Screw

Pos.	Qty	Description	Material
1	1	Male part	AISI 304L
2	1	Nut	AISI 304L
3	1	Taper blank	AISI 304L
4	1	Locking device	PTFE
5	1	Upper disc	AISI 304
6	1	Cap	AISI 304
7	1	Ball	AISI 304
8	1	Vacuum spring	AISI 304
9	2	Screw 3MAx8	AISI 304

Technical data

Opening pressure	fixed	0.02 bars
Vacuum pressure	fixed	0.01 bars

Capacity

Valve size	Capacity
1 1/2"	480 l/h
2"	1200 l/h
2 1/2"	3000 l/h