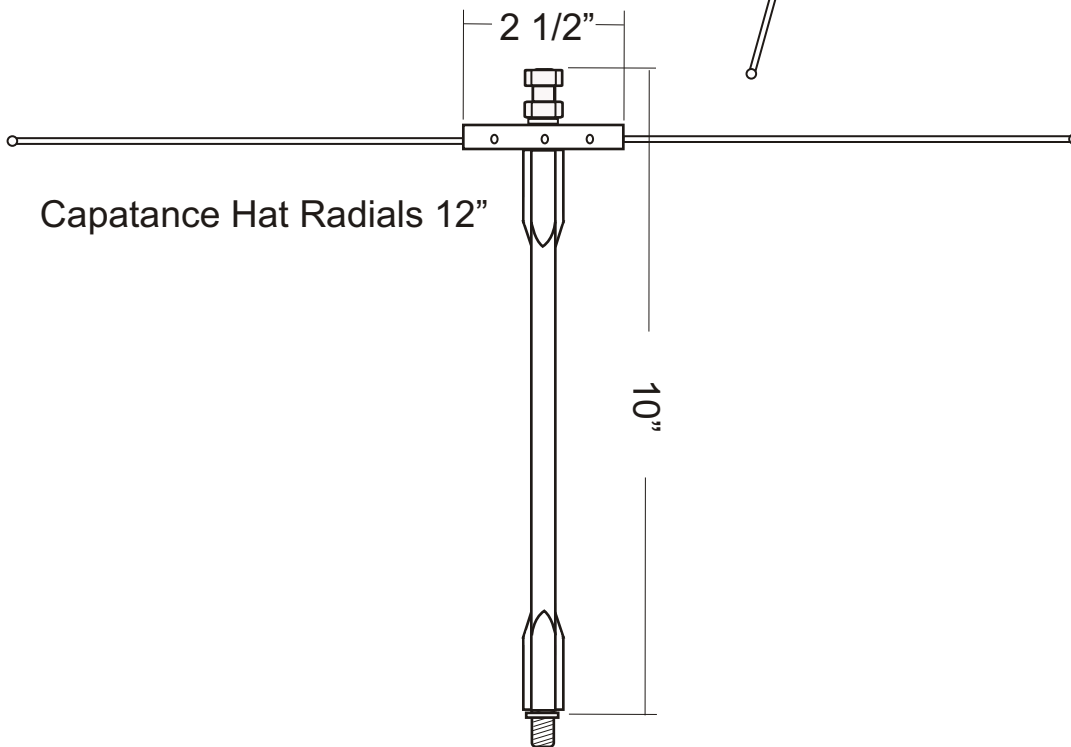
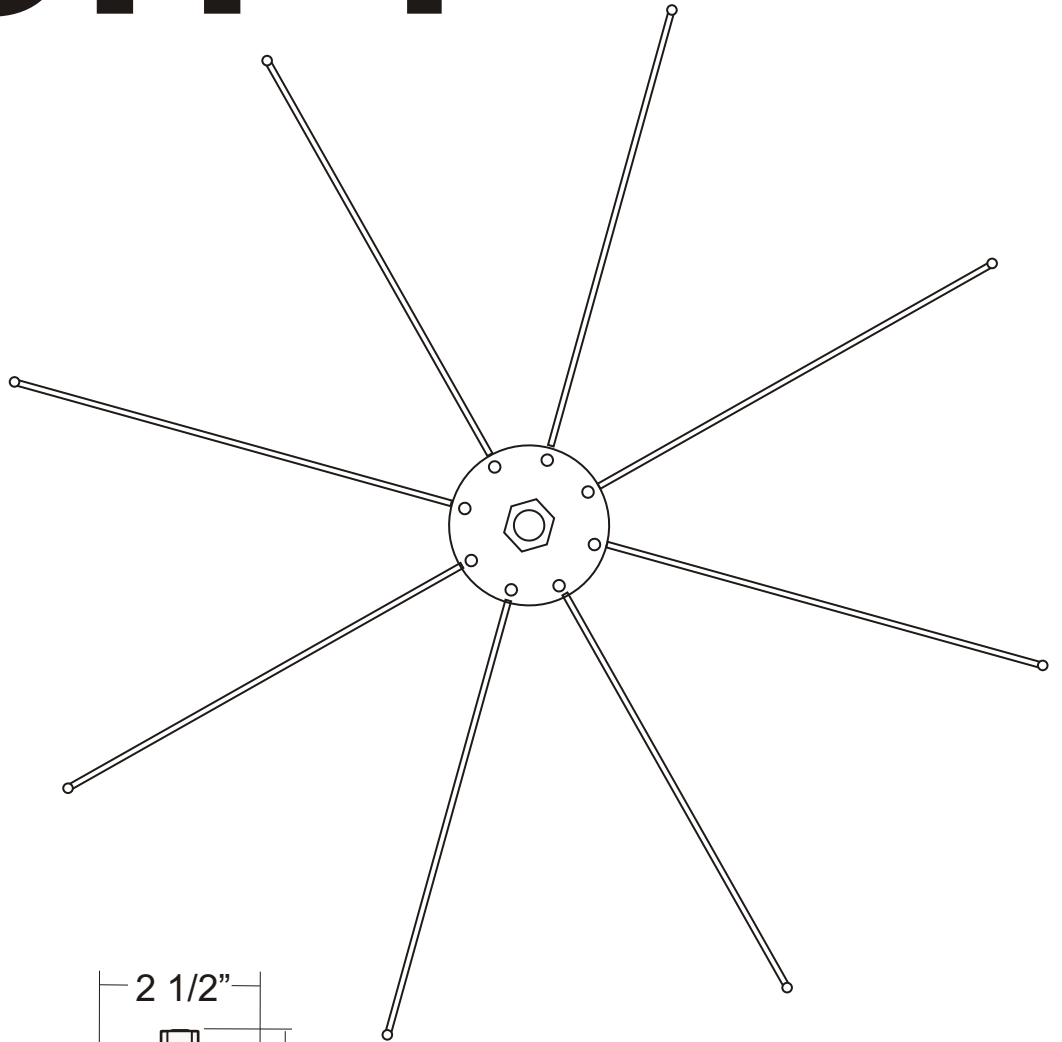
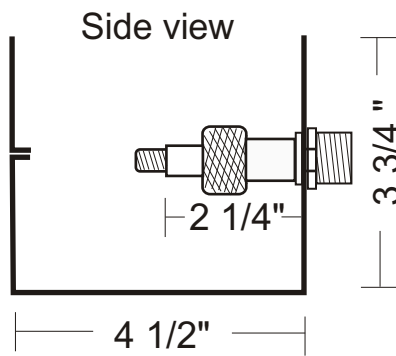
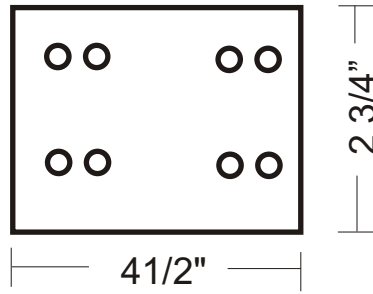


# CH-1

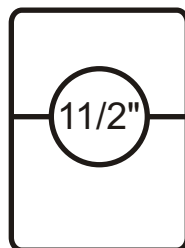


# LTMT-1

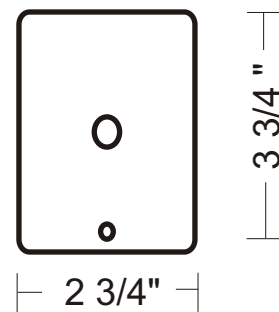
Bolt Holes are 3/8"



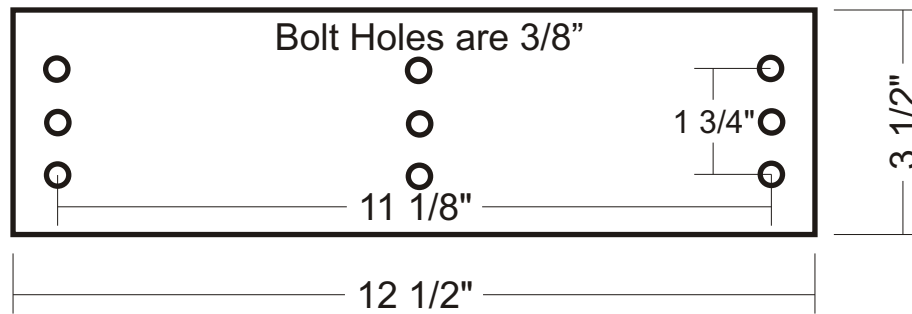
Top view



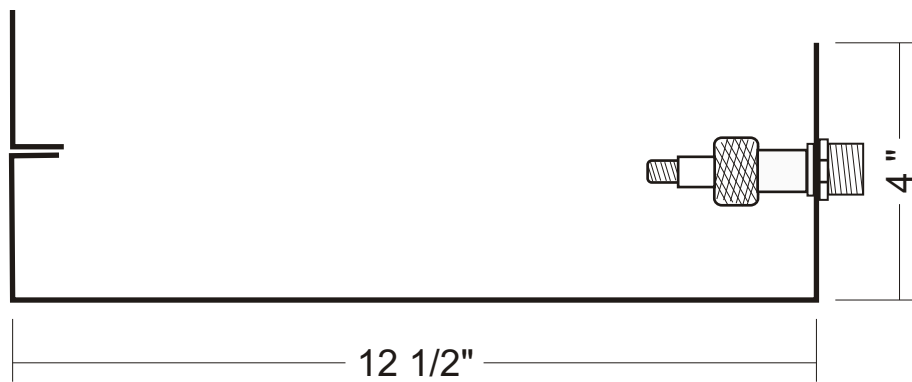
Bottom view



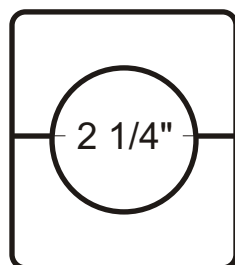
# MT-1



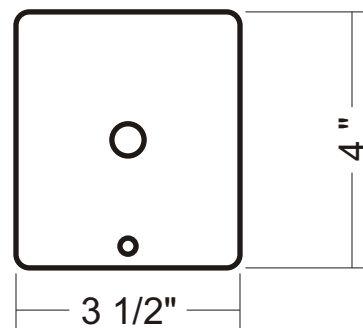
Side view



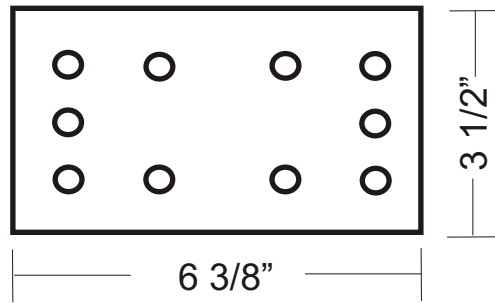
Top view



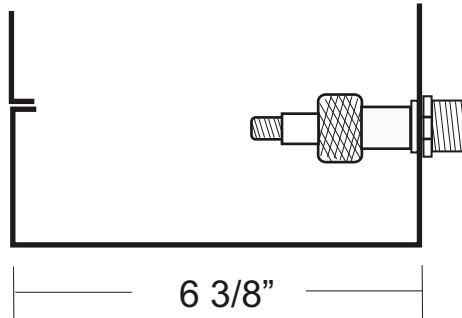
Bottom view



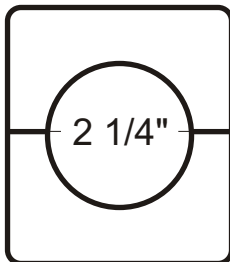
# MT-1S



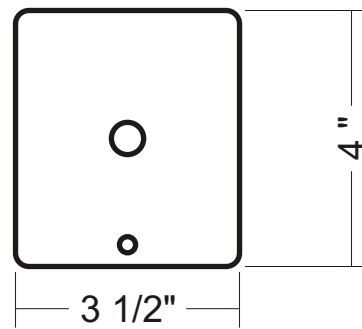
Side view



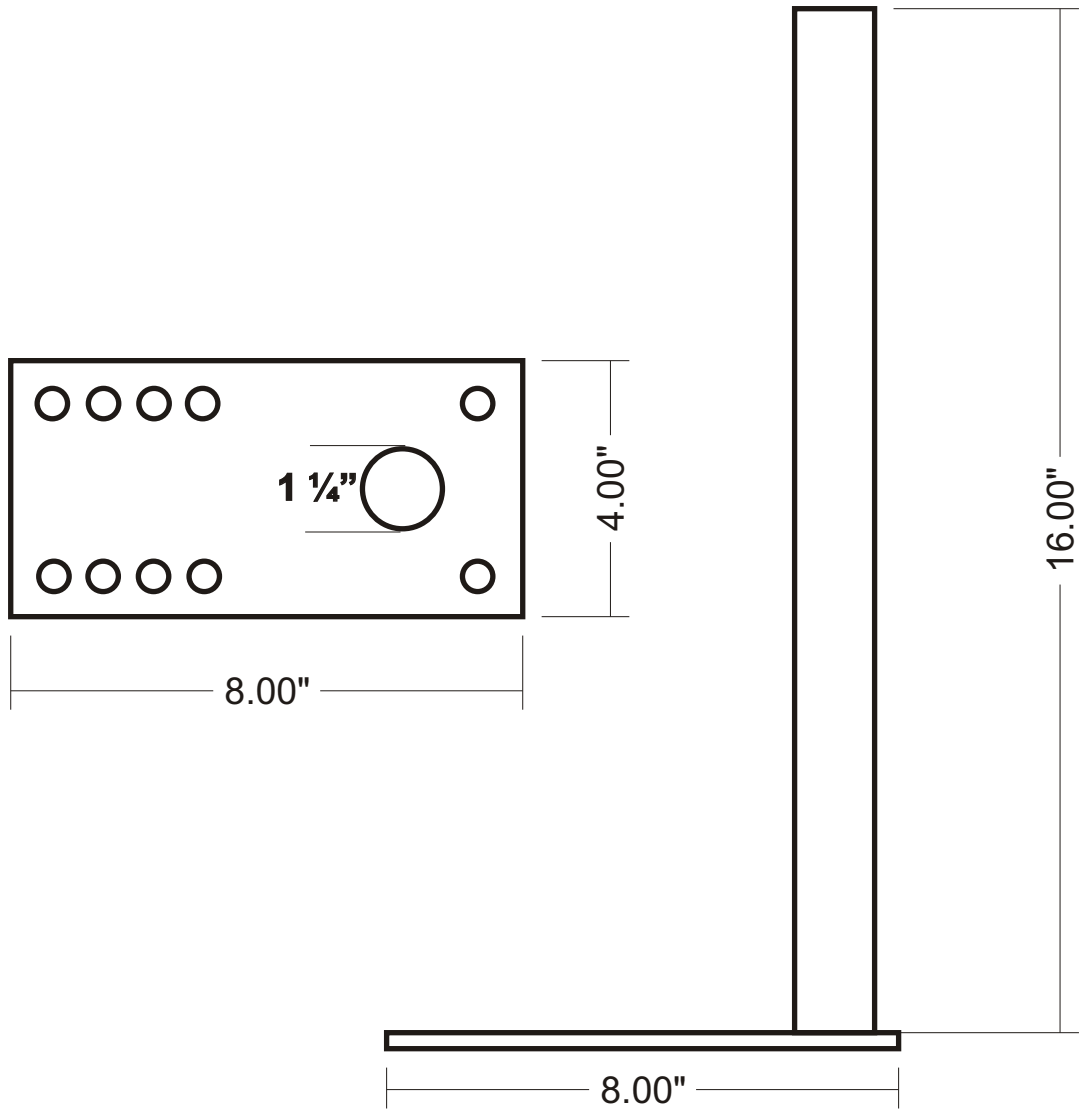
Top view



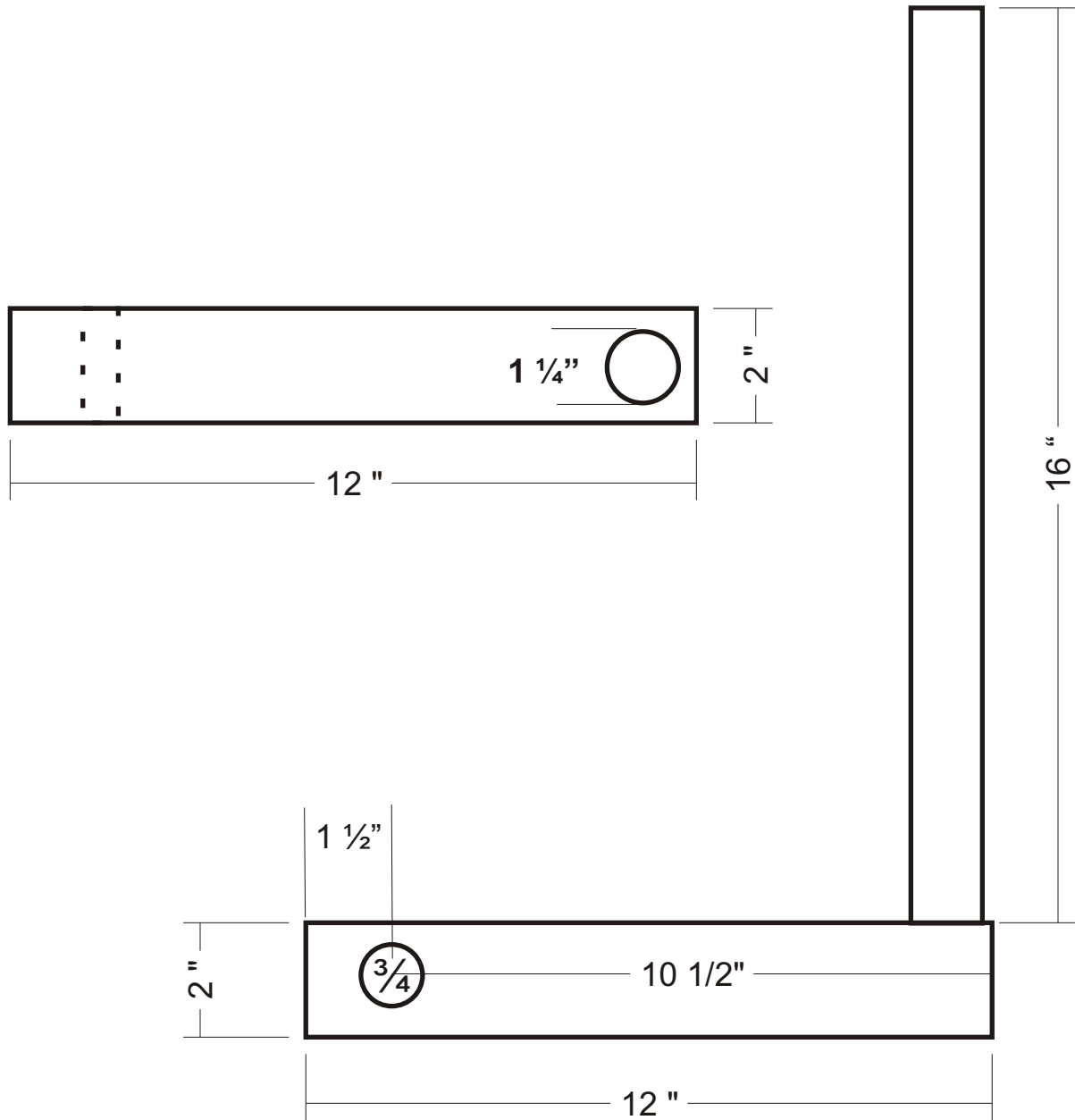
Bottom view



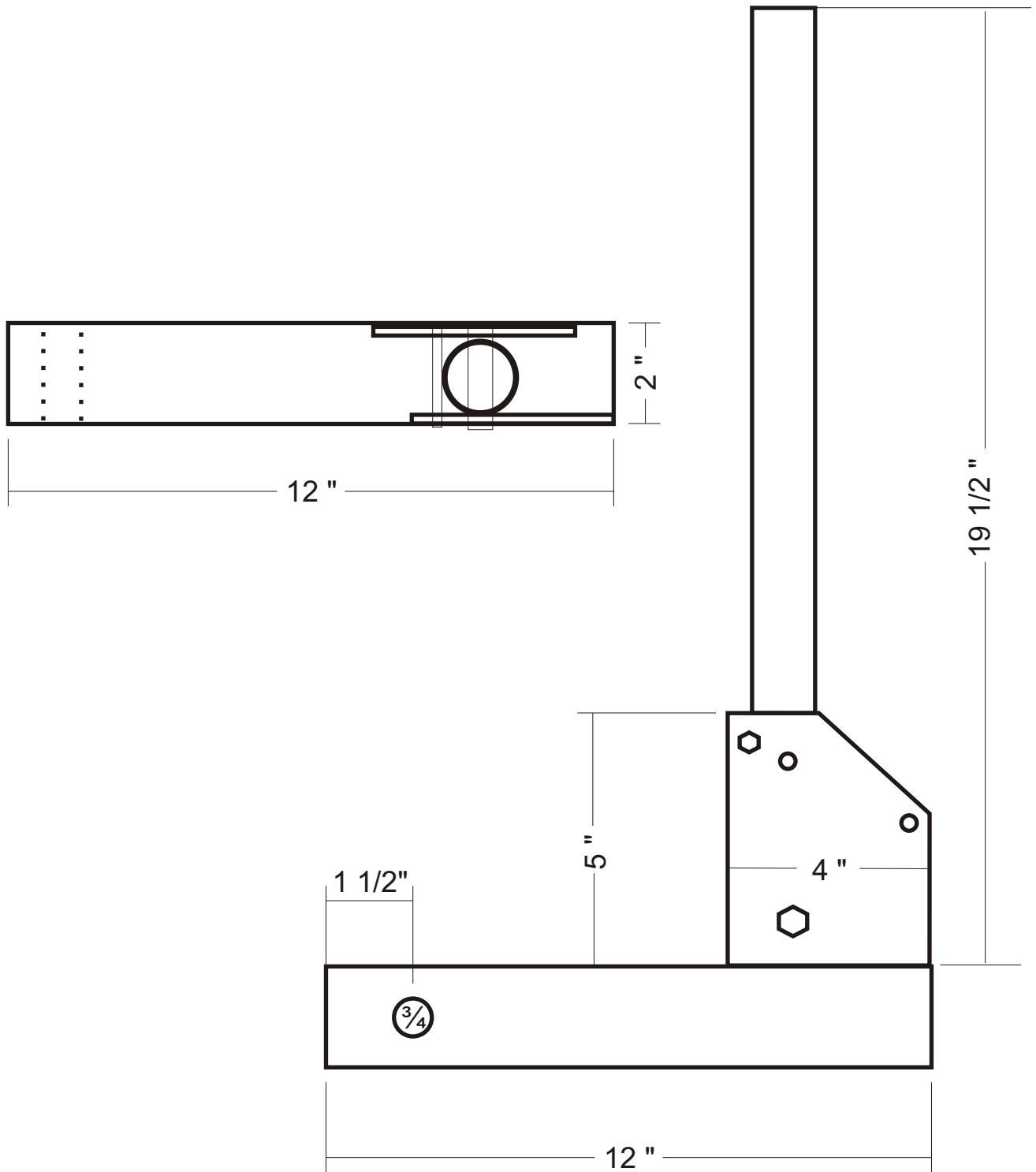
# MT-2



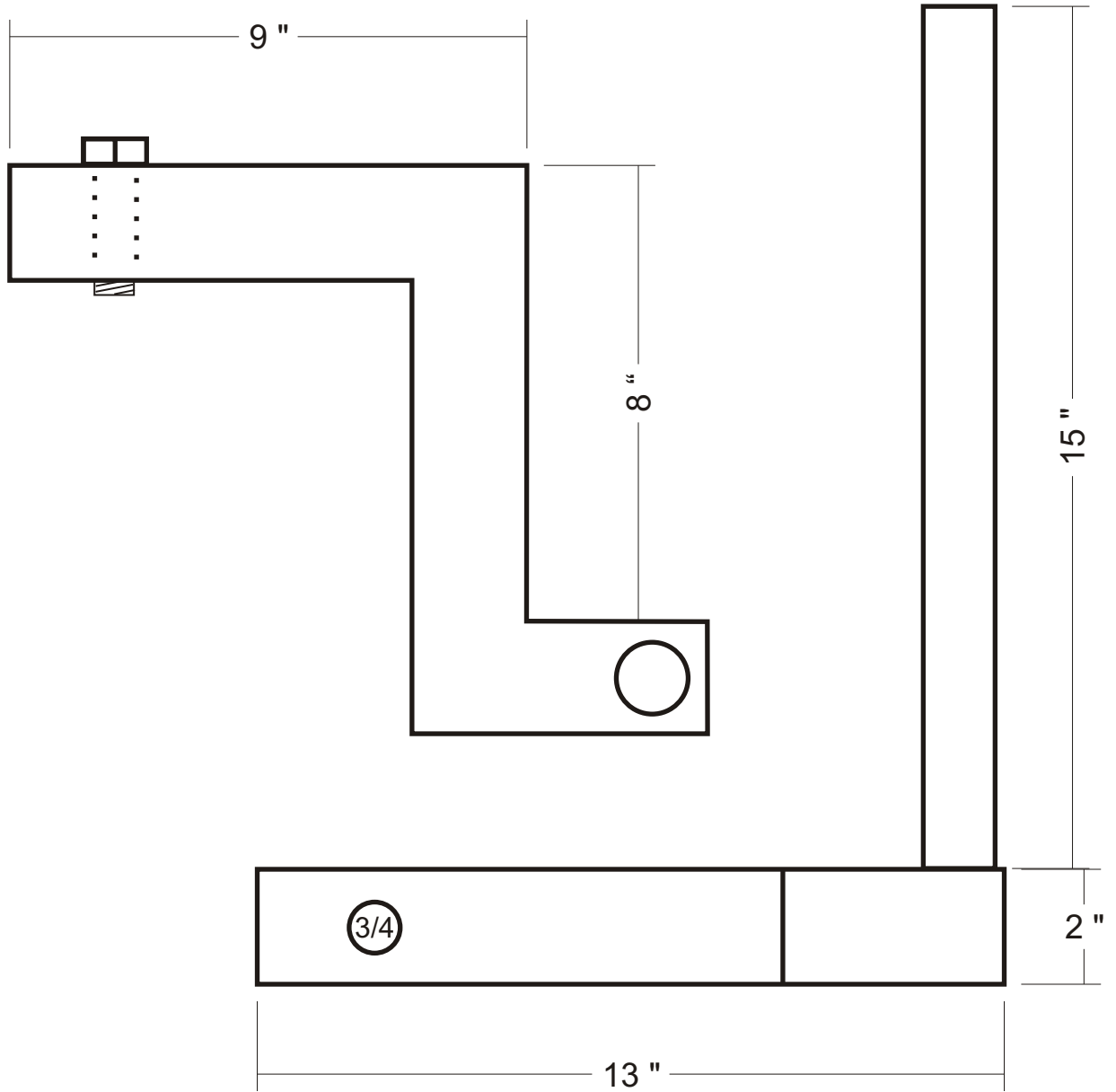
# MT-3



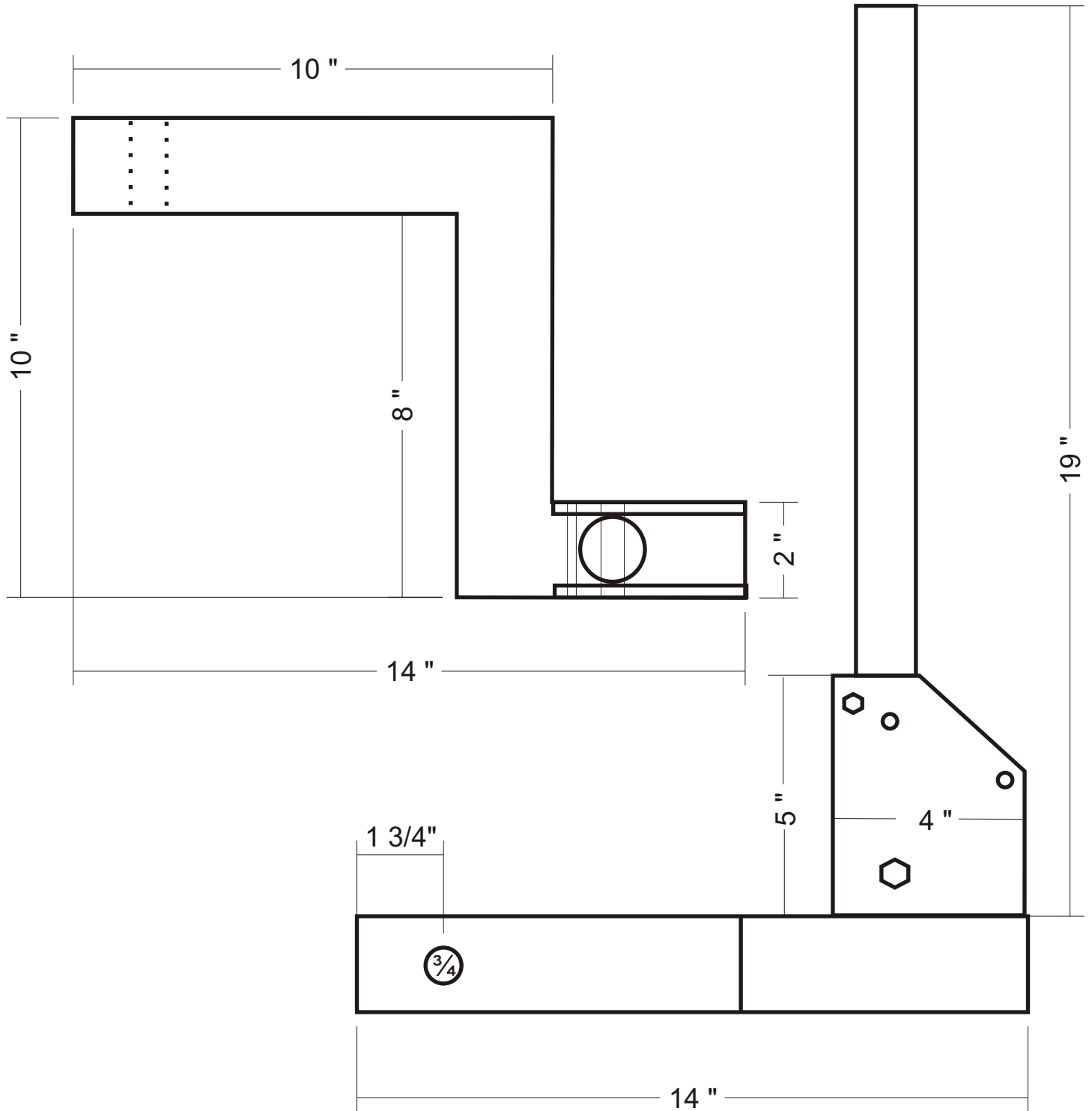
# MT-3FB



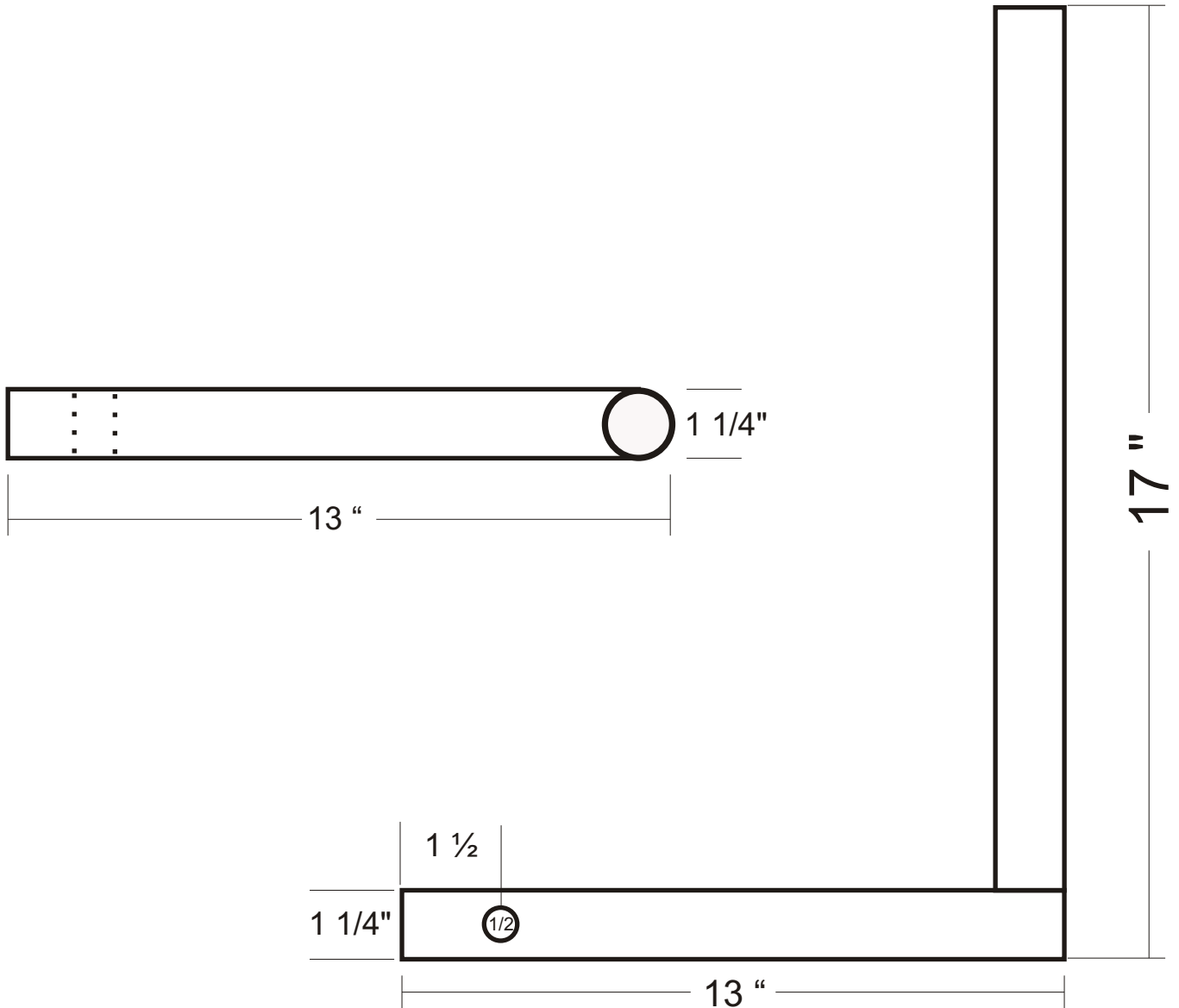
# MT-30S



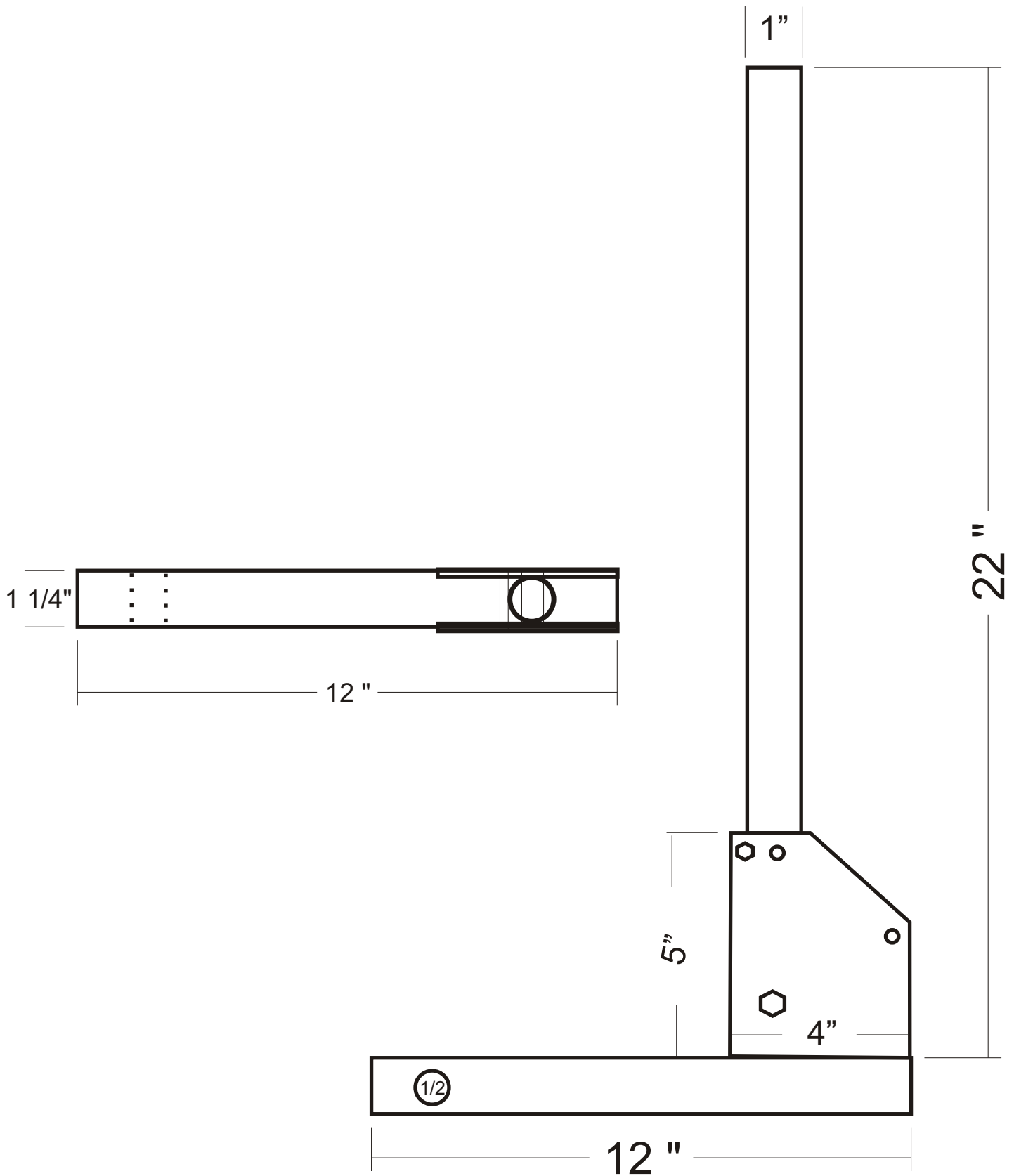
# MT-30FB



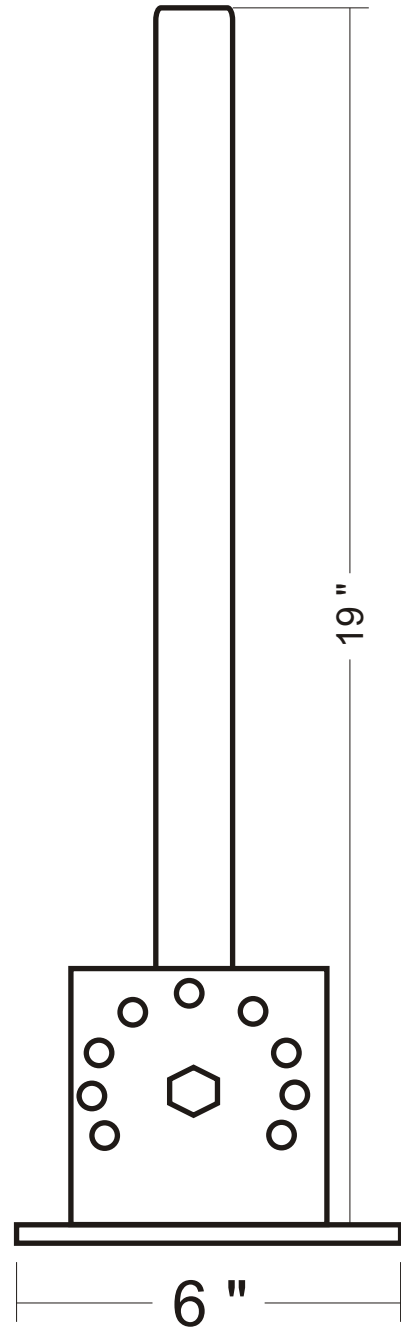
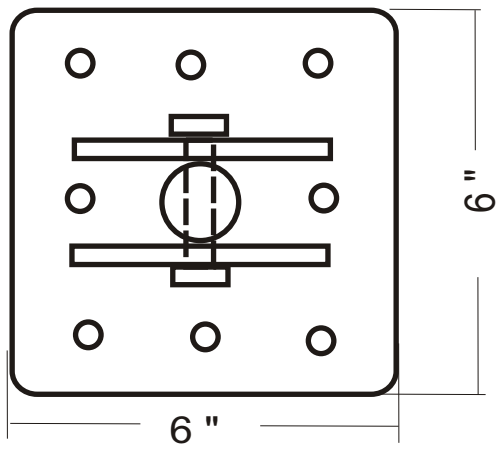
# MT-4



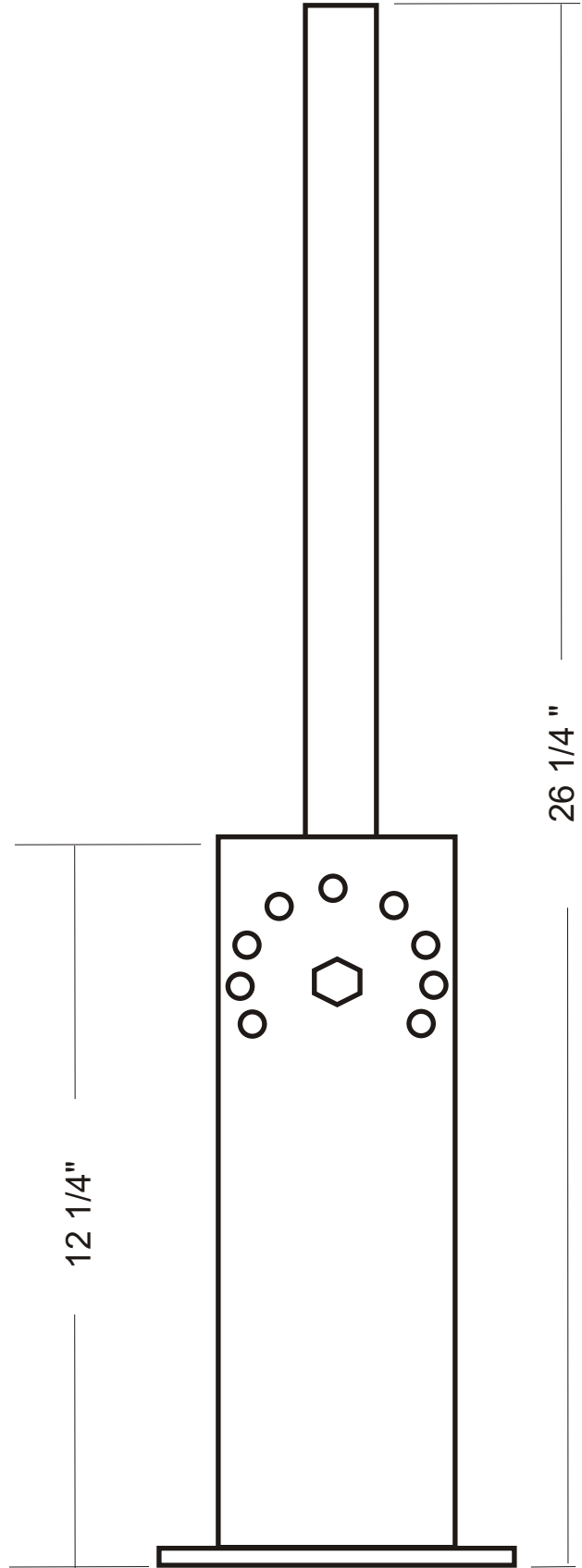
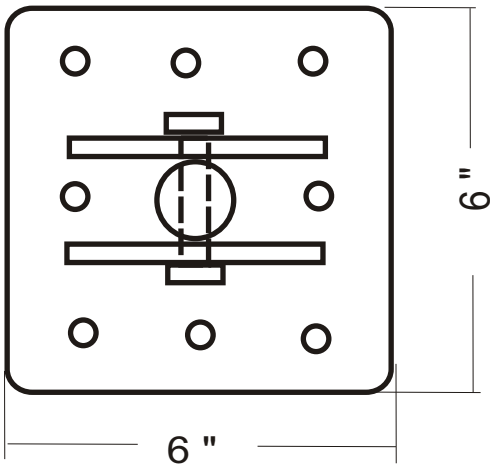
# MT-4FB



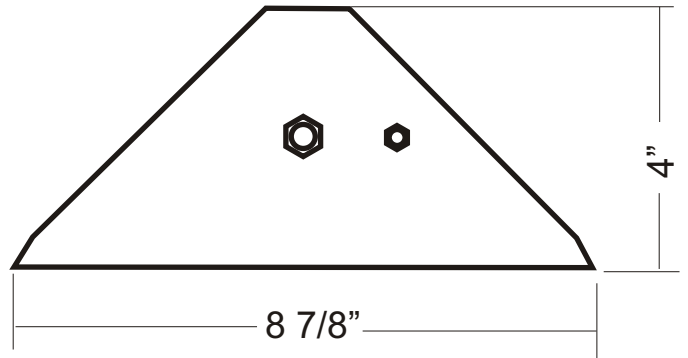
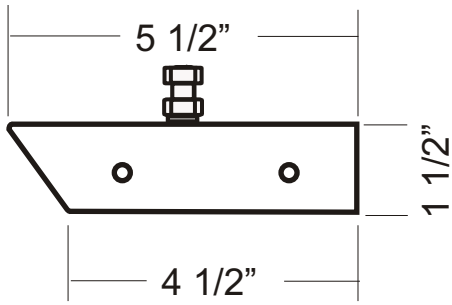
# MT-5



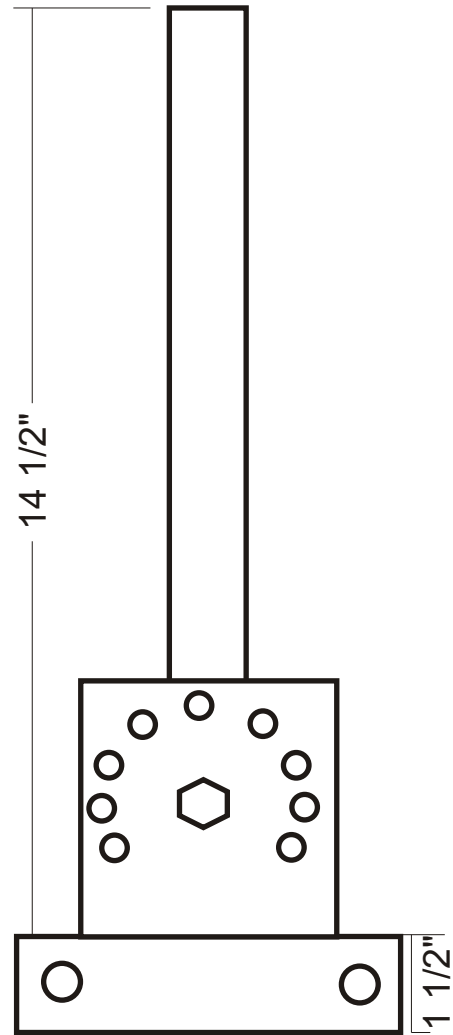
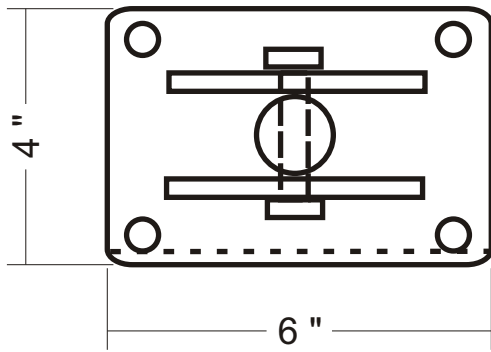
# MT-6



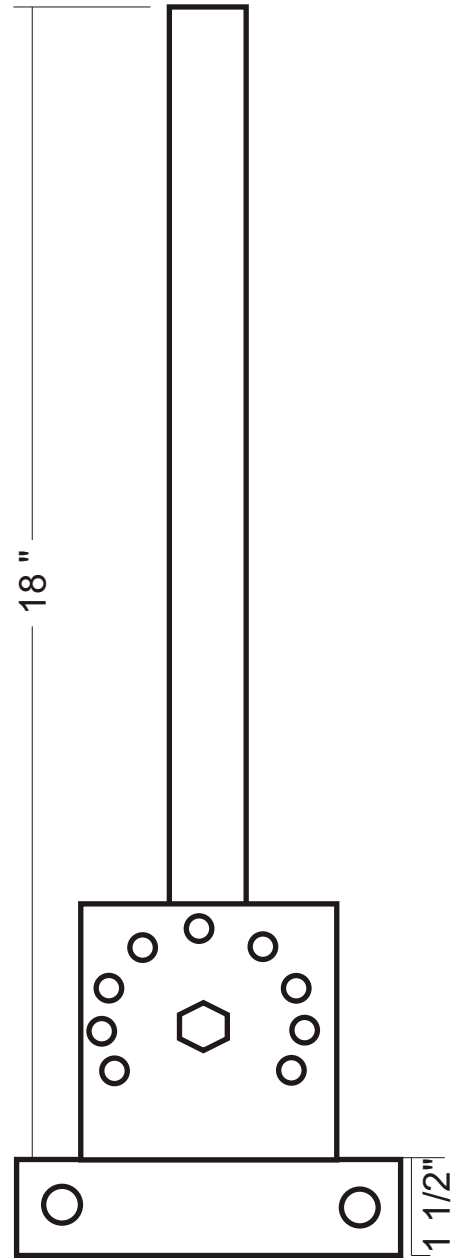
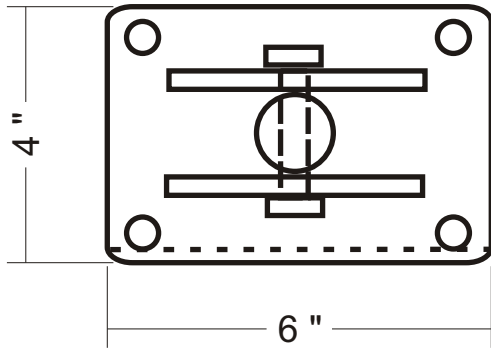
# MT-7



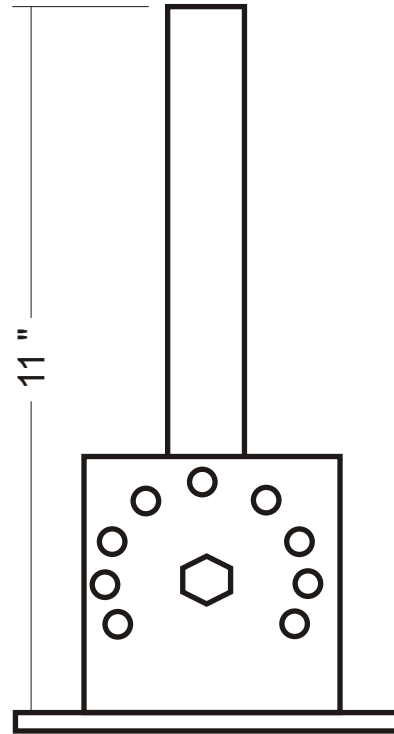
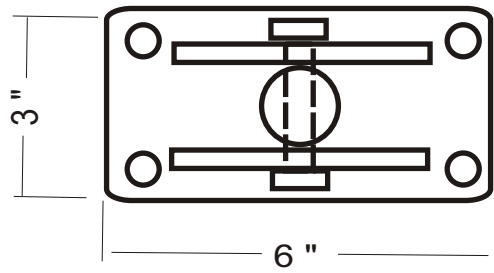
# MT-10S



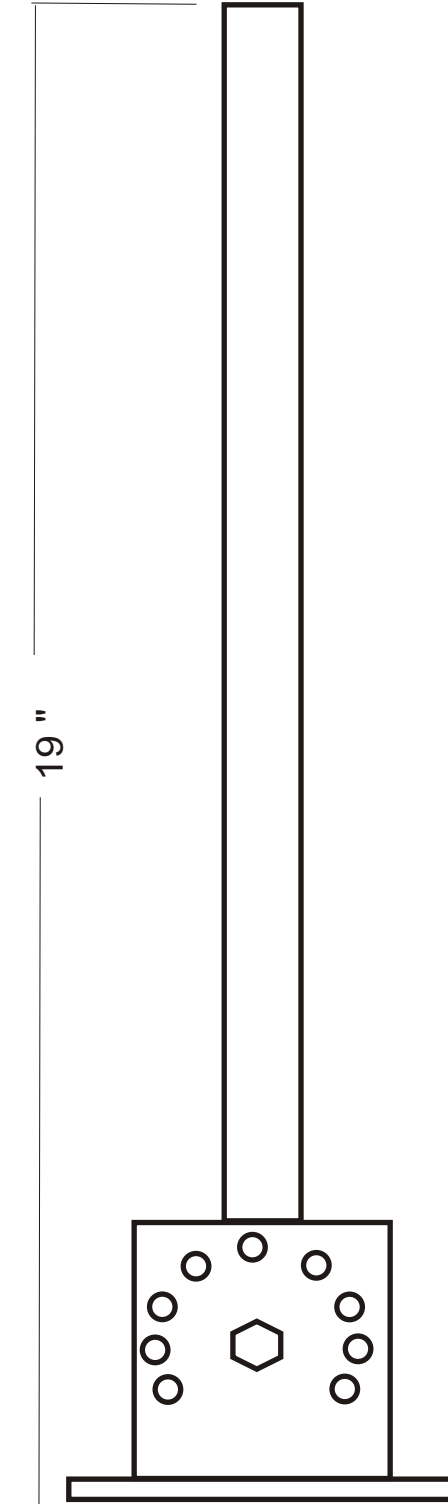
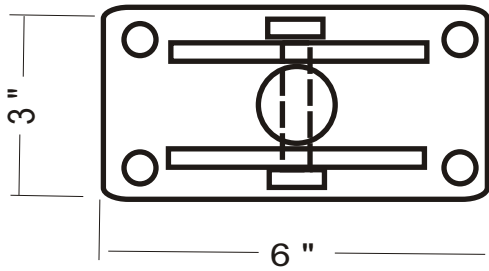
# MT-10L



# MT-11S



# MT-11L



# Lift & Lay

