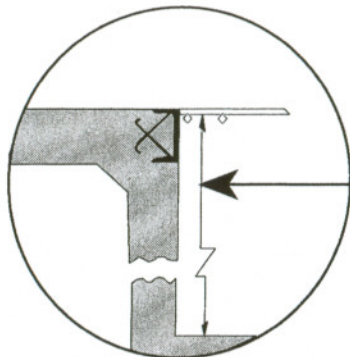
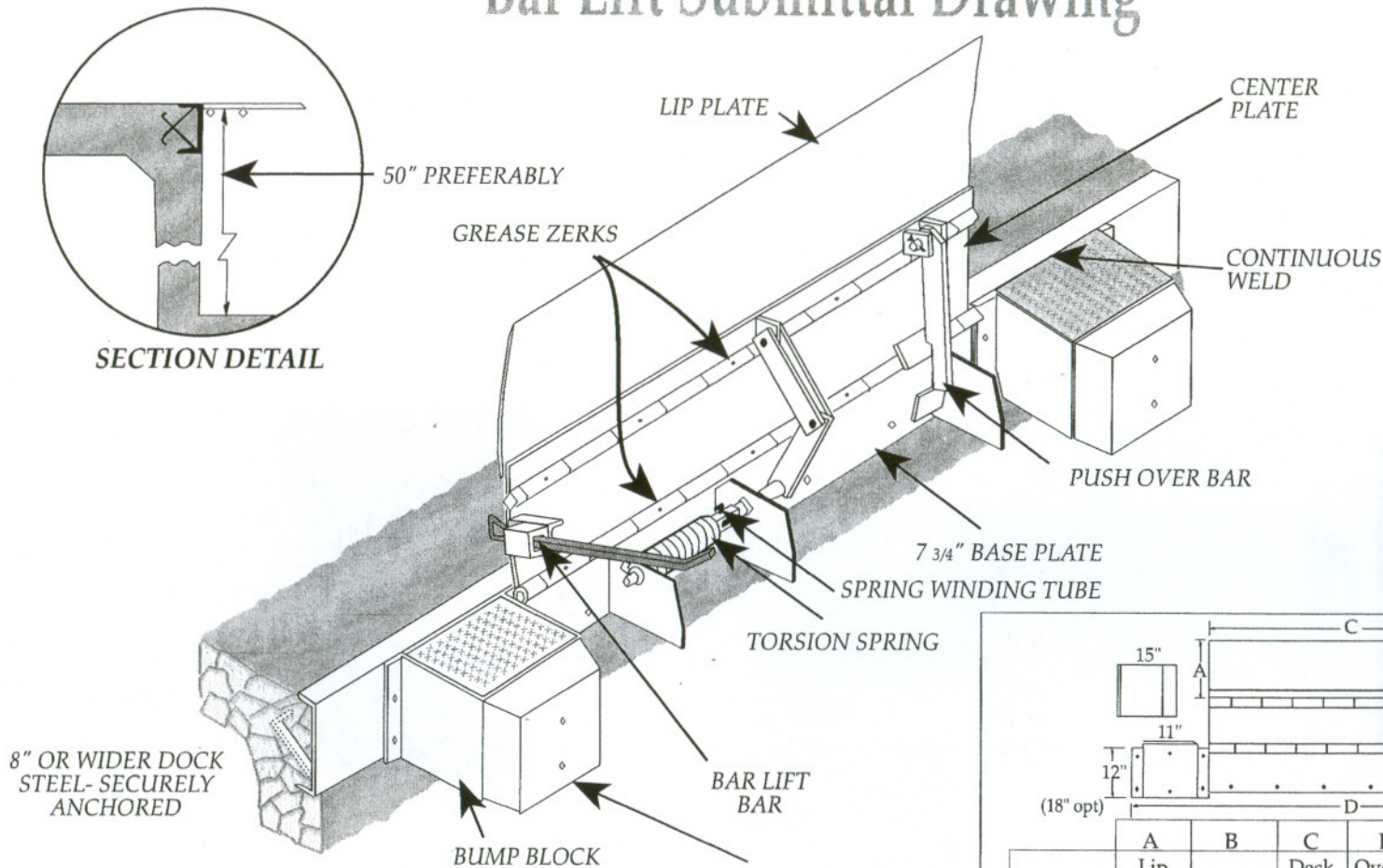


Bar Lift Submittal Drawing

03/05



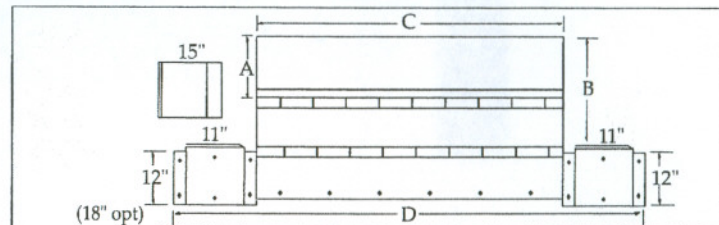
SECTION DETAIL

8" OR WIDER DOCK
STEEL- SECURELY
ANCHORED

BUMP BLOCK

MOLDED
CORD RUBBER

NOTES: Deck & Lip - 55,000 lb. min. yield steel.
30,000 lb Capacity Units include C1045
cold rolled 11/16" rod and cold drawn
seamless tubing (1-1/4" OD, 5/16" wall).



	A	B	C	D	E	F
	Lip Length	Span	Deck Width	Overall Width	Rollover Capacity Lbs.	Plate Thickness
Model BL66	15"	27 3/4"	66"	96"	20,000	3/8"
Model BL66H	15"	27 3/4"	66"	96"	25,000	7/16"
Model BL66-17	17"	29 3/4"	66"	96"	20,000	3/8"
Model BL72	15"	27 3/4"	72"	102"	20,000	3/8"
Model BL78	15"	27 3/4"	78"	108"	20,000	3/8"
Model BL84	15"	27 3/4"	84"	114"	20,000	3/8"

SPECIFY JOB REQUIREMENTS FROM

--	--	--	--	--	--	--