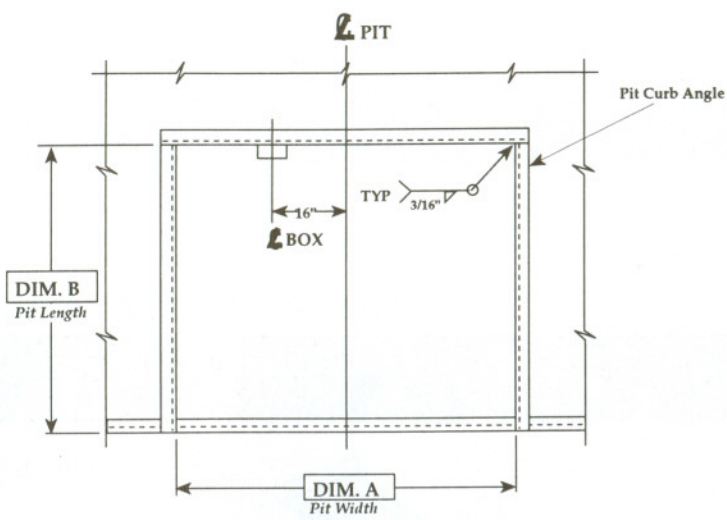
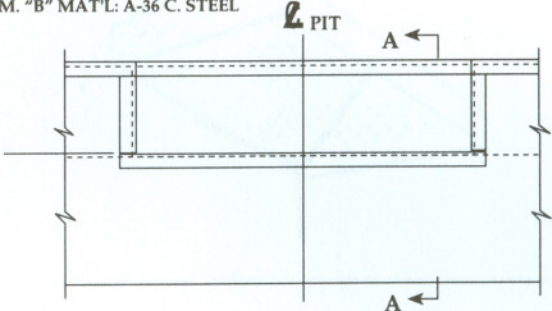


FIGURE B – PLAN VIEW

“C” Series Pit Detail



PLAN
DIM. "B" MAT'L: A-36 C. STEEL

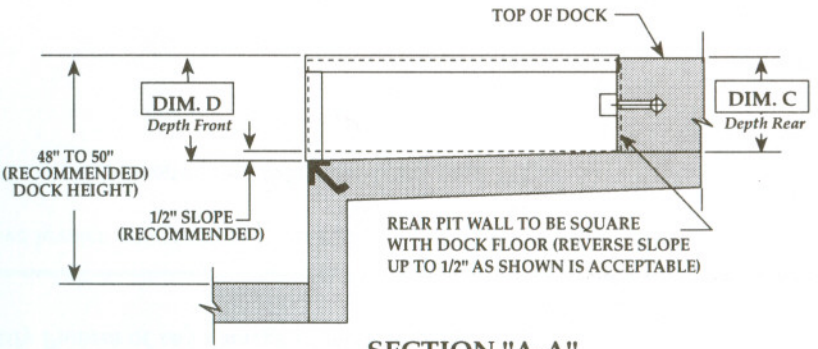


FRONT ELEVATION
DIM. "B" MAT'L: A-36 C. STEEL

VARIABLE DIMENSIONS				
MODEL SIZE	"A"	"B"	"C"	"D"
6'W x 6'L	74"	63"	19 1/2"	20"
6'W x 8'L	74"	87"	19 1/2"	20"
7'W x 6'L	85"	63"	19 1/2"	20"
7'W x 8'L	85"	87"	19 1/2"	20"

INSERT SPECIFIC JOB DIMENSIONS FROM CHART

--	--	--	--	--



SECTION "A-A"
MAT'L: A-36 C. STEEL



P.O. Box 338 • Spring Hill, Tennessee 37174
931/486-2296 • 800/251-3382 • Fax: 931/486-0316
www.pioneerleveler.com

NOTES

JOB

DRAWN: D.E.A.	SCALE: AS NOTED	DATE: 6/19/96	DRAWING NUMBER: PMI-2010
------------------	--------------------	------------------	-----------------------------

TOLERANCES:		
Inch Dimension =	Decimal Dimension =	Angles =
1/16"	.005	1°