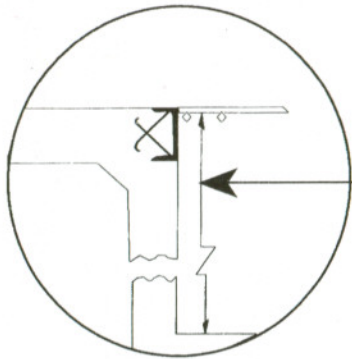
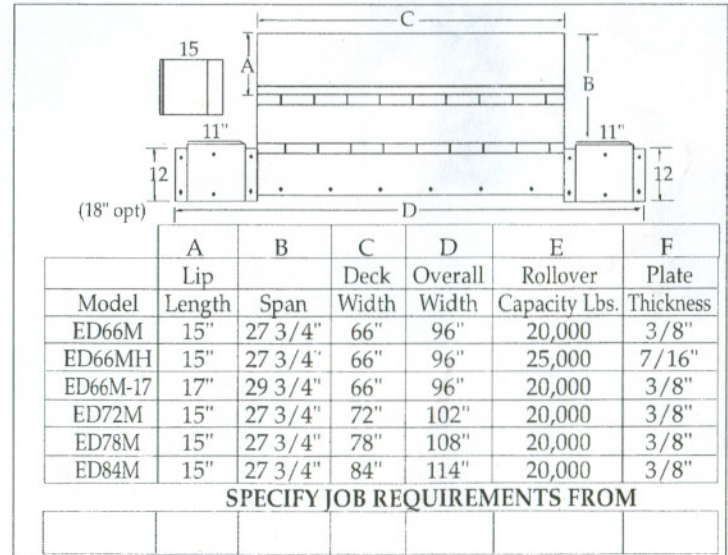
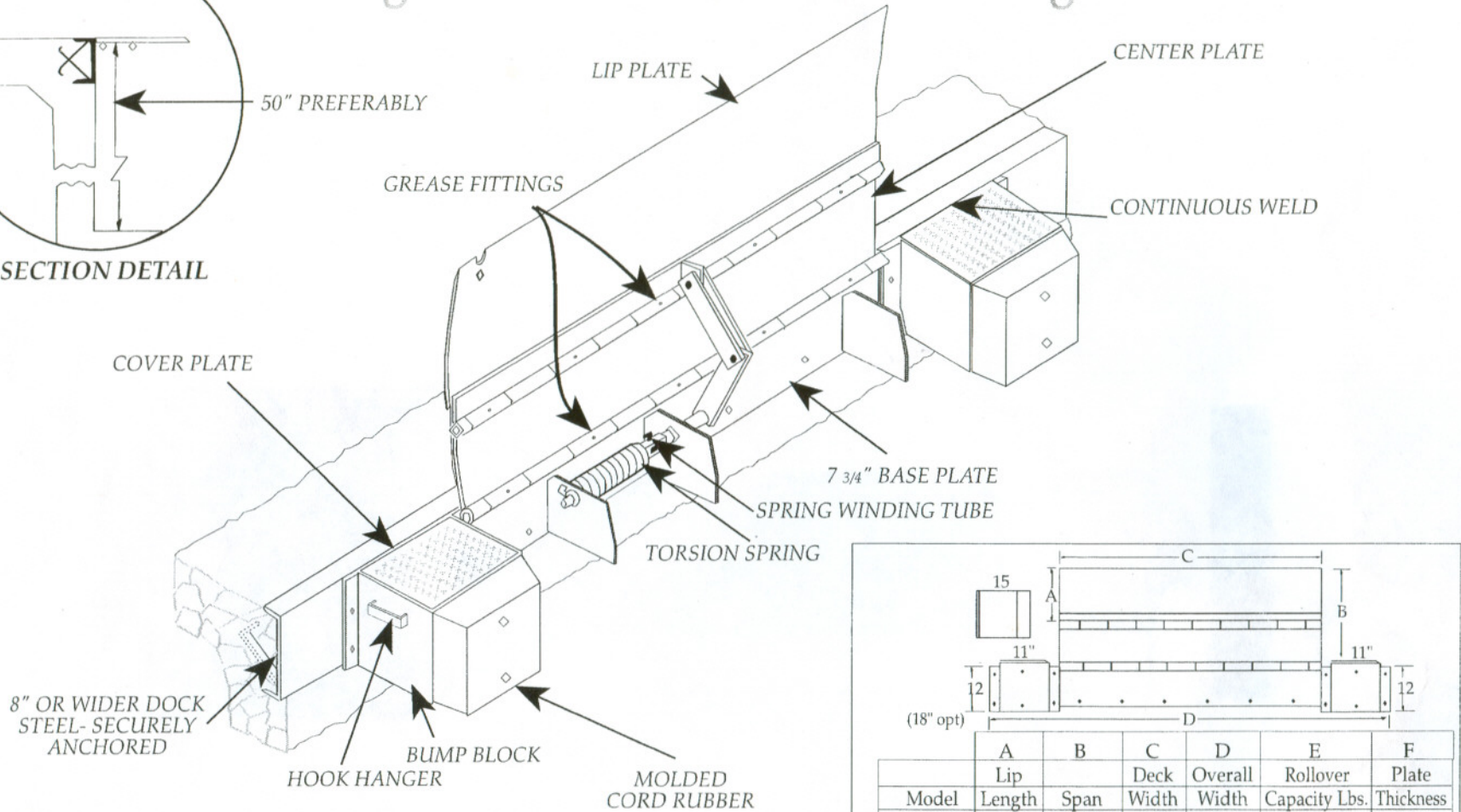


"Edge of Dock" Submittal Drawing



50" PREFERABLY

SECTION DETAIL



NOTES: Deck & Lip - 55,000 lb. min. yield steel.
 30,000 lb Capacity Units include C1045 cold rolled 11/16" rod and cold drawn seamless tubing (1-1/4" OD, 5/16" wall).



Box 335 • Spring Hill, Tennessee 37174
 380-251-3181
 180-0310

JOB