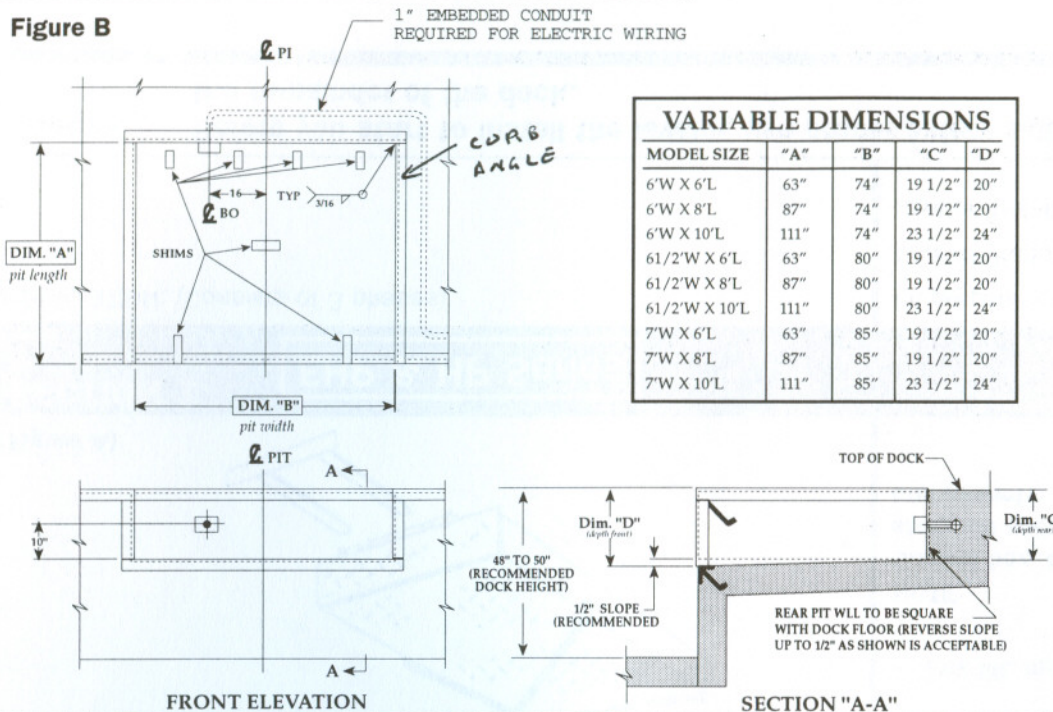


# PIT PREPARATION AND ELECTRICAL INSTALLATION:

**Figure B**



**Figure C**

