

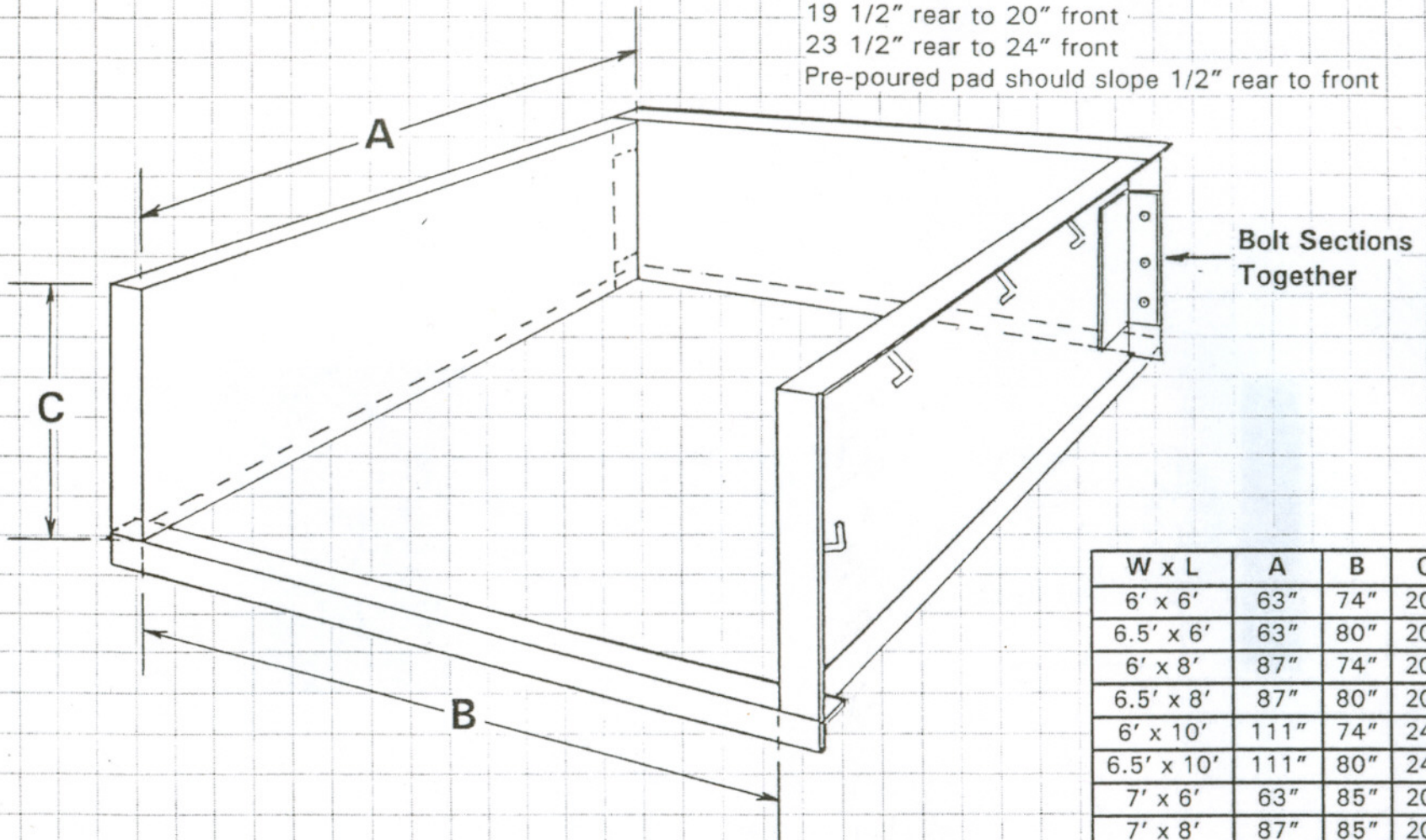
NOTE:

EZ Pan slopes 1/2" to front.

19 1/2" rear to 20" front

23 1/2" rear to 24" front

Pre-poured pad should slope 1/2" rear to front



W x L	A	B	C
6' x 6'	63"	74"	20"
6.5' x 6'	63"	80"	20"
6' x 8'	87"	74"	20"
6.5' x 8'	87"	80"	20"
6' x 10'	111"	74"	24"
6.5' x 10'	111"	80"	24"
7' x 6'	63"	85"	20"
7' x 8'	87"	85"	20"
7' x 10'	111"	85"	24"

MATERIAL SPECIFICATIONS

3/16" x 3" x 3" Angle
14 ga. Plate

TOLERANCES:
 Unless specified
 inch Dimn. + 1/32
 Decimal Dimn.
 + .005 Angles
 + i

PIONEER MANUFACTURING INC

Title: **EZ Pan Submittal Drawing**

CHANGE NOTICE

Dwg.	Checked	App.	Scale	Date	Part No.
------	---------	------	-------	------	----------