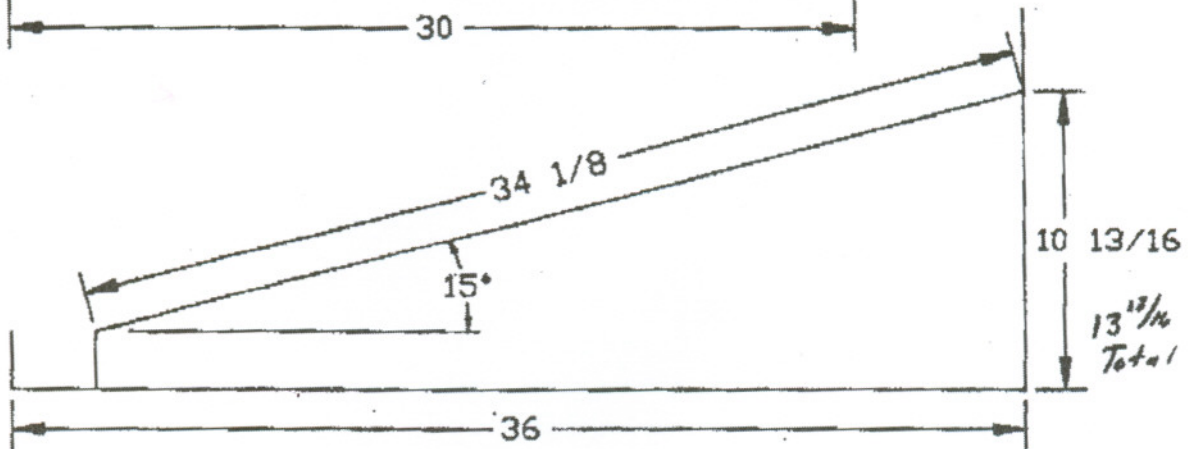
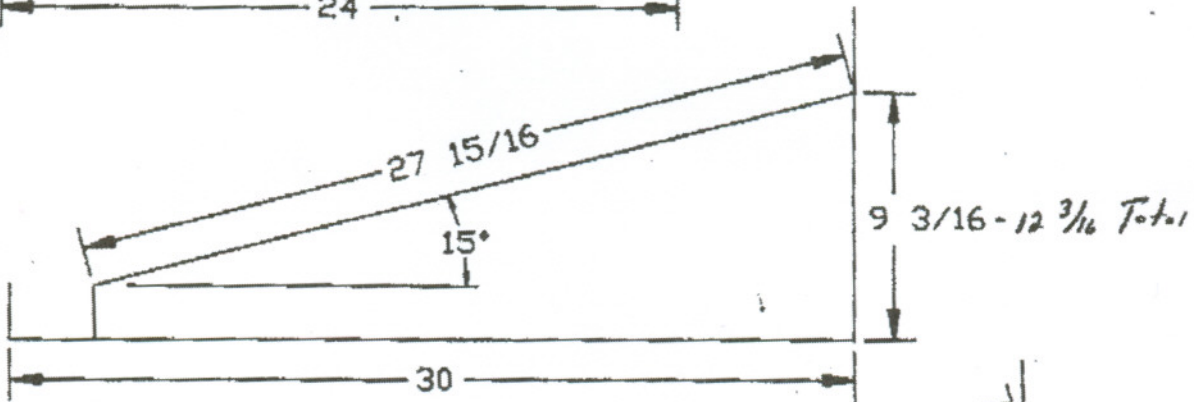
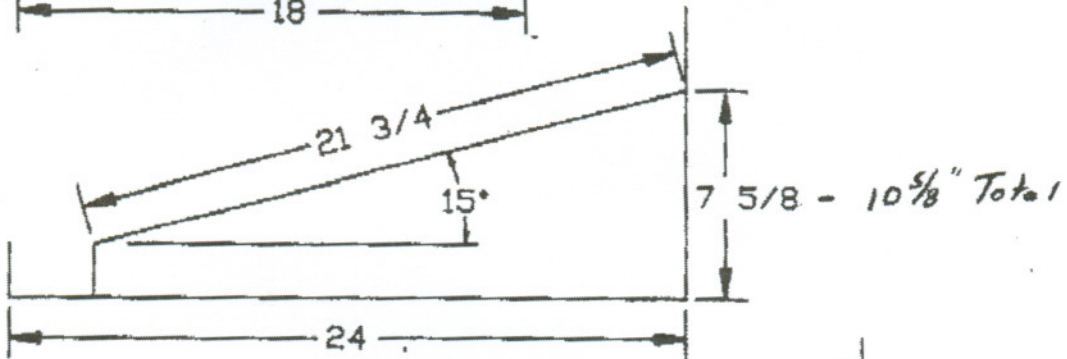
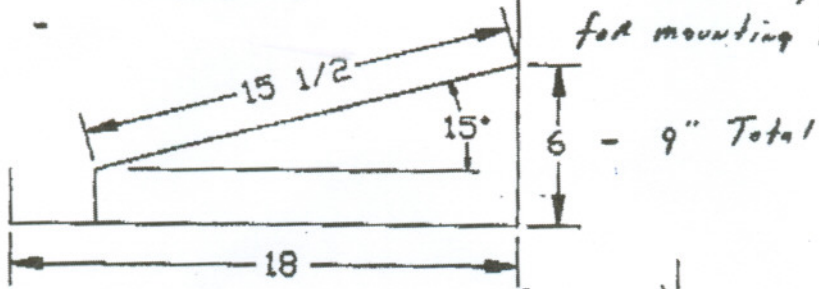


12-28-2006

For total Height, add 3"
for mounting lip.



Snow Hood Brace Quantity By Size

<u>Part #/Size</u>	<u>Quantity</u>
SH 18 x 96	3
SH 18 x 120	3
SH 18 x 144	4
SH 24 x 96	3
SH 24 x 120	3
SH 24 x 144	4
SH 30 x 96	4
SH 30 x 120	4
SH 30 x 144	5
SH 36 x 96	4
SH 36 x 120	4
SH 36 x 144	5
SH 48 x 96	4
SH 48 x 120	5
SH 48 x 144	5

Approximate Snow Hood Weights

	<u>10'</u>	<u>12'</u>
<u>18"</u>	<u>57½ lbs</u>	<u>69½ lbs</u>
<u>24"</u>	<u>73 lbs</u>	<u>88 lbs</u>
<u>30"</u>	<u>114 lbs</u>	<u>137 lbs</u>
<u>36"</u>	<u>137 lbs</u>	<u>166 lbs</u>
<u>48"</u>		