

# Molded Dock Bumpers

1-800-457-5251

## Material/Thickness

Manufactured from fiber reinforced prime rubber containing nylon and polyester. Modes varying in thickness from 2" to 6".

All bumpers have impact recovery (ASTM 1170) of 95% with a durometer reading of 80 plus or minus 5.

Tensile strength: 950-1505 PSI

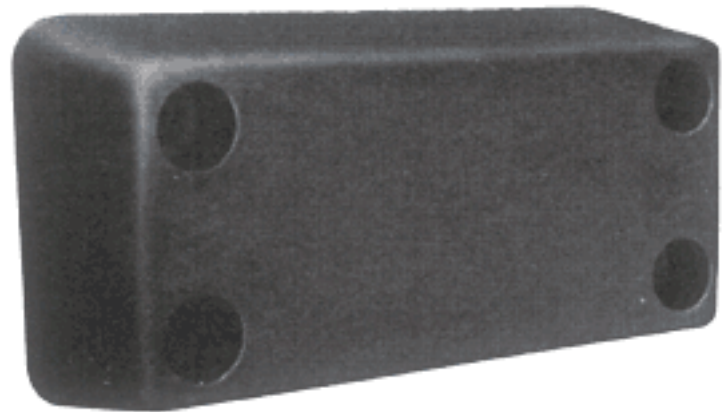
All models have pre-drilled, countersunk mounting holes for easy installation, and are drilled to accept 3/4" anchor bolts.

## Installation

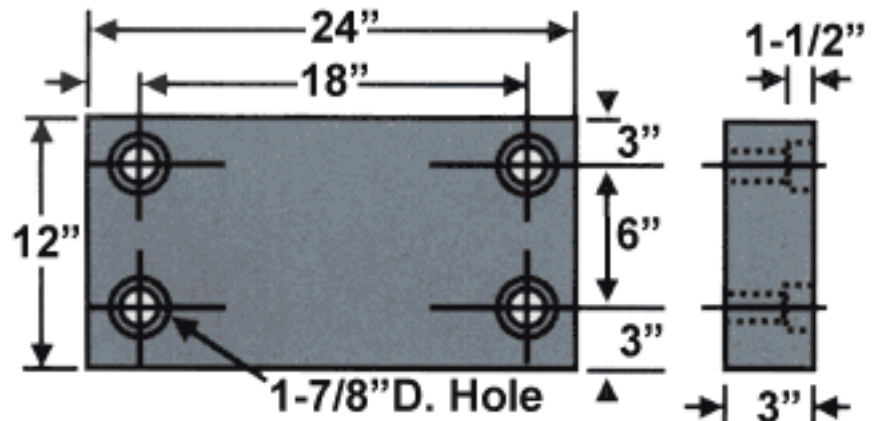
Installation is easy- 3/4" anchor bolts are mounted through pre-drilled holes into dock.

## Uses/Applications

Perfect protection for any low traffic truck dock. Also used for In-plant wall protection from forklifts and other material handling vehicles.



Warranty - One year



Type-B