

Molded Dock Bumpers

Material/Thickness

Manufactured from fiber reinforced prime rubber containing nylon and polyester. Models varying in thickness from 2" to 6".

All bumpers have impact recovery (ASTM 1170) of 95% with a durometer reading of 80 plus or minus 5.

Tensile strength: 950-1505 PSI

All models have pre-drilled, countersunk mounting holes for easy installation, and are drilled to accept 3/4" anchor bolts.

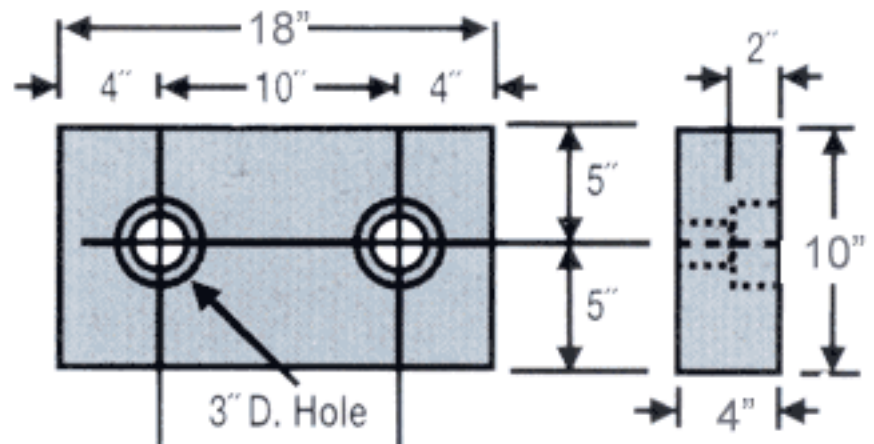
Installation

Installation is easy- 3/4" anchor bolts are mounted through pre-drilled holes into dock.

Uses/Applications

Perfect protection for any low traffic truck dock. Also used for In-plant wall protection from forklifts and other material handling vehicles.

Warranty - One year



Type-M18