

#01, #01F, #01Q, #02, #02F, #24, #62, #62F, #90, #90F

CARTON CONTAINERS

#01, #01F, #01Q

- 1 Box HB/FB (Hardware: 8 – 80mm Bed Bolts and 8 – Weld Nuts)
- 1 Box (2) Cleated Rails (Hardware: 3 – Bed Wires and 6 – Bed Wire Screws)

#02, #02F, #24, #62, #62F, #90, #90F

- 1 Box HB/FB (Hardware: 8 – 30mm Bed Bolts and 8 – Cap Nuts)
- 1 Box (2) Cleated Rails (Hardware: 3 – Bed Wires and 6 – Bed Wire Screws)

TOOLS REQUIRED

- Phillips Screwdriver or Electric Drill
- Hex Key (Provided)



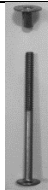

#01, #01F, #01Q ASSEMBLY INSTRUCTIONS

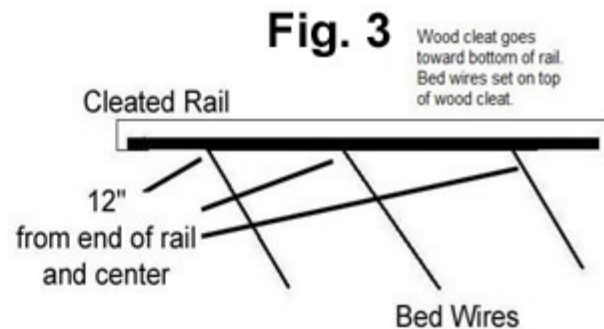
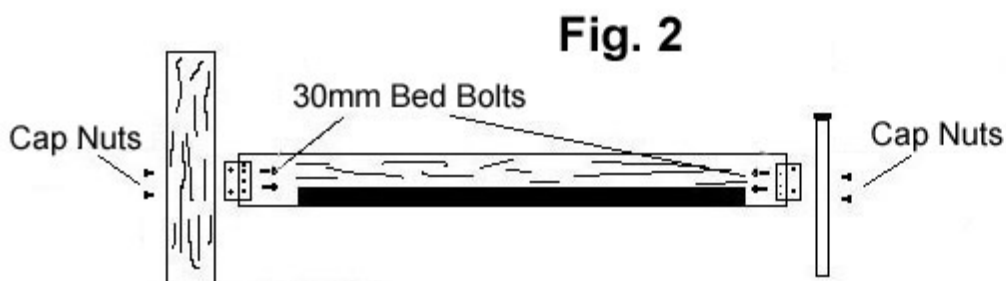
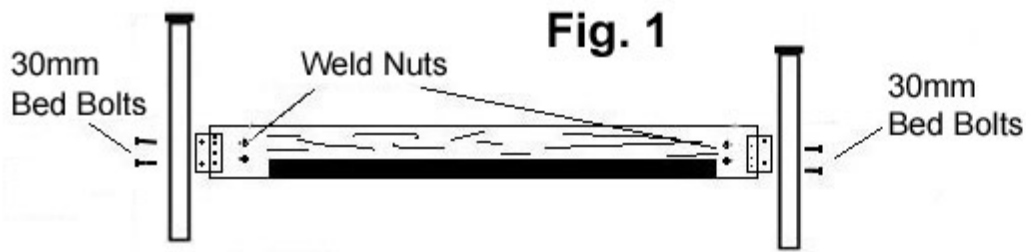
1. Check cartons to be sure all wooden parts and hardware is included.
2. To begin assembly, obtain headboard, footboard and two cleated rails.
3. Hold to HB upright and insert bed bolts through predrilled holes in HB and continue through metal bracket on rail. Secure with weld nuts as shown in Figure 1.
4. Repeat step 3 for the other rail.
5. Attach footboard to other end using same method as in steps 3 & 4.
6. Secure bed wires with bed wire screws to top of cleated rails as show in Figure 3.

#02, #02F, #24, #62, #62F, #90, #90F ASSEMBLY INSTRUCTIONS

7. Check cartons to be sure all wooden parts and hardware is included.
8. To begin assembly, obtain headboard, footboard and two cleated rails.
9. Hold to HB upright and insert bed bolts through metal bracket on one rail and continue through predrilled holes in HB. Secure with cap nuts as shown in Figure 2.
10. Repeat step 3 for the other rail.
11. Attach footboard to other end using same method as in steps 3 & 4.
12. Secure bed wires with bed wire screws to top of cleated rails as show in Figure 3.

Hardware – (Actual Size not Shown)

 <p>Hex Key #01,01F,01Q=1 #02,02F=1 #24=1 #62,62F=1 #90,90F=1</p>	 <p>30mm Bed Bolt and Cap Nut #01,01F,01Q=0 #02,02F=8 #24=8 #62,62F=8 #90,90F=8</p>	 <p>80mm Bed Bolt and Weld Nut #01,01F,01Q=8 #02,02F=0 #24=0 #62,62F=0 #90,90F=0</p>	 <p>Bed Wire and 1" Screw #01,01F=3 #01Q=0 #02,02F=3 #24=3 #62,62F=3 #90,90F=3</p>
--	--	---	--



#3090



#3062



Optional #3960

#3002



#3924



Includes #3960

#3001



Pine Crafter Furniture
P.O. Box 1100
Haleyville, Alabama 35565
www.pinecrafter.com
P: 205.486.2153
F: 205.486.3504