



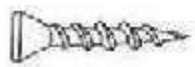
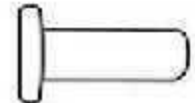


# Assembly Instructions

For more information contact: [sales@pinecrafter.com](mailto:sales@pinecrafter.com)


## #21, #21F, #21Q, #21K





### HARDWARE

- A  Screw x6 (#21K x0)
- B  Bolt x8 (#21K x12)
- C  Bolt x8 (#21K x12)
- D  Allen Wrench x1

### Tools Required for Assembly:

Allen Wrench   
(Included)

Philips Screwdriver   
(Not Included)

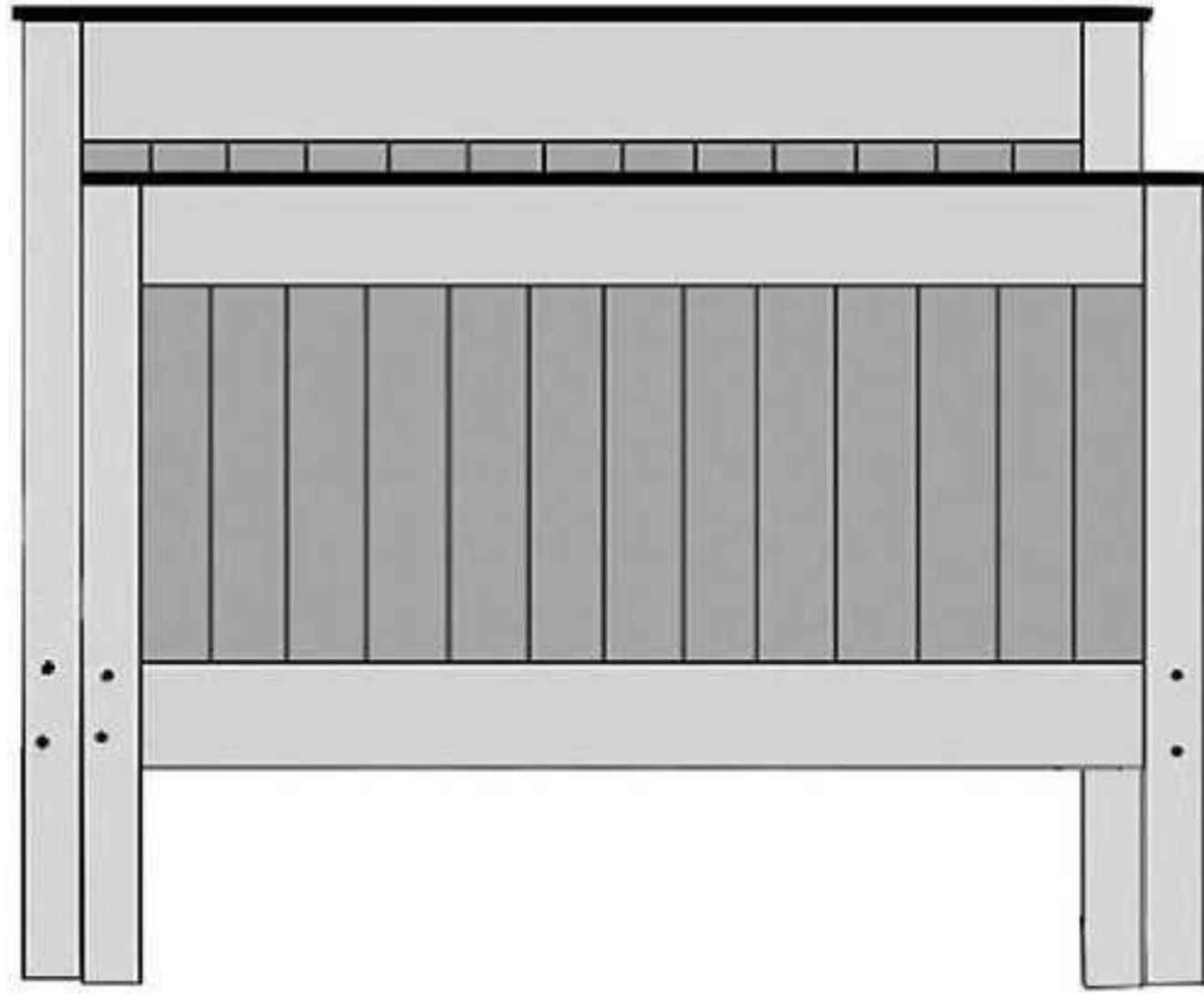
Power Drill (Recommended)   
(Not Included)



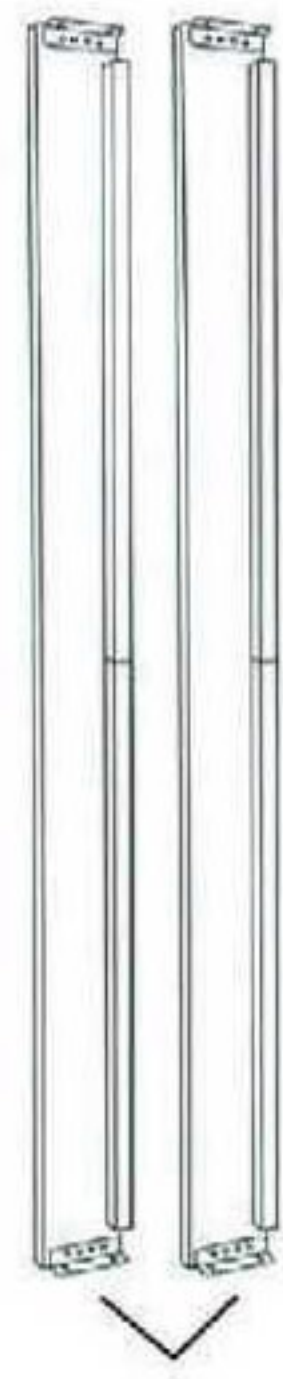
2 Person Recommended



# PARTS



Box 1 HB/FB



Box 2 Rails x2



Wires x3

Wires only come with #21 and #21F

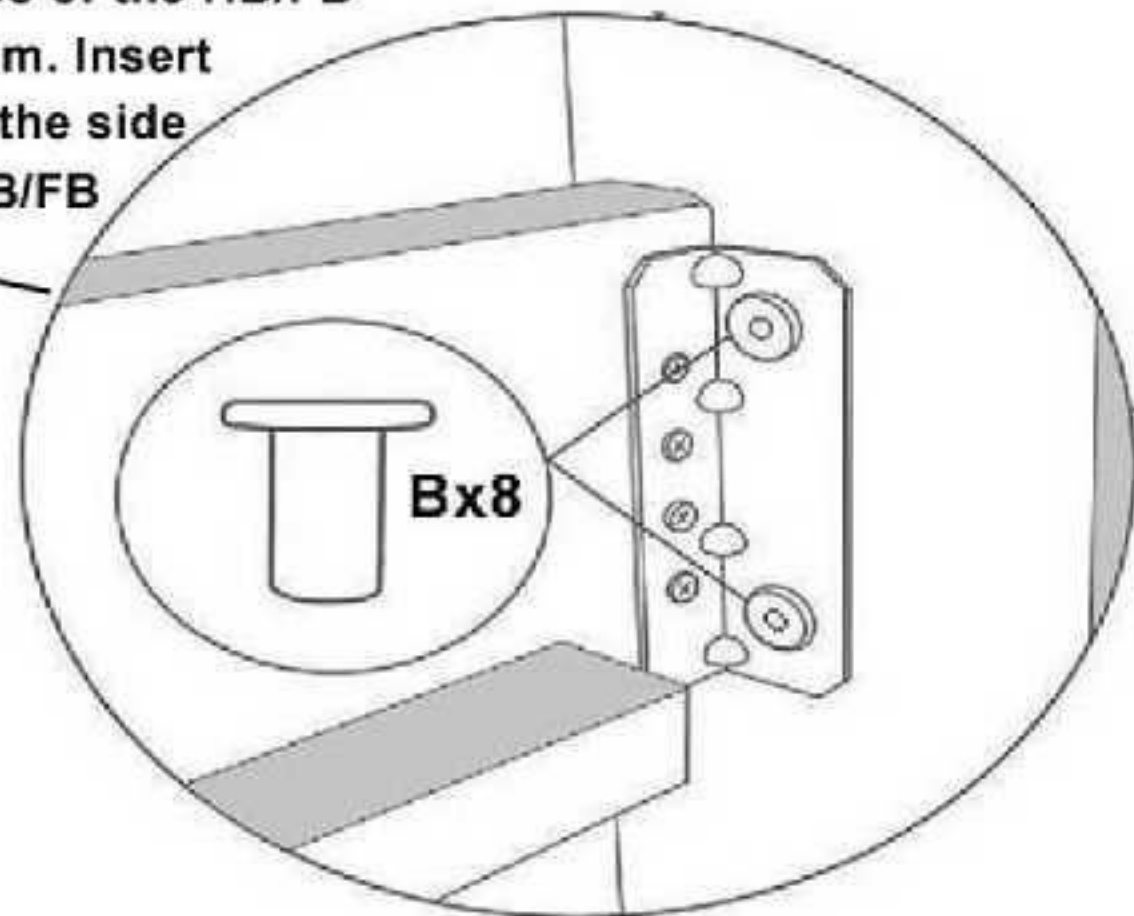


Center Rail  
Box 3 Rail x1  
For King Bed Only

## STEP 1 #21, #21F, #21Q

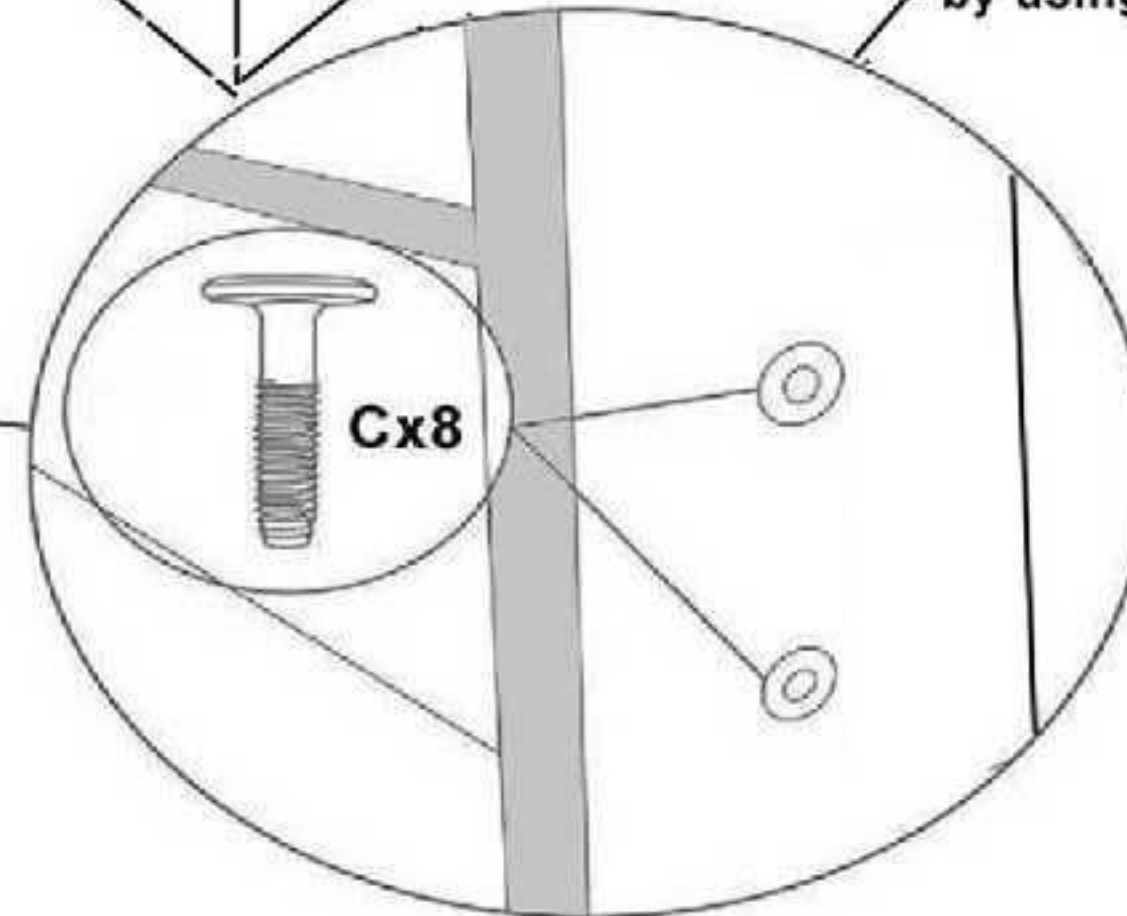


1) Align side rail to the holes of the HB/FB as indicated in the diagram. Insert bolts (#B) to the holes of the side rails connecting to the HB/FB from the inside view.



Inside View

2) Secure bolts (#B) into side rails and HB/FB by using bolt (#C) from the outside view.



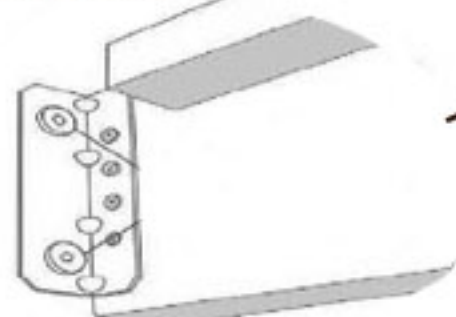
Outside View



**STEP 1 #21K**



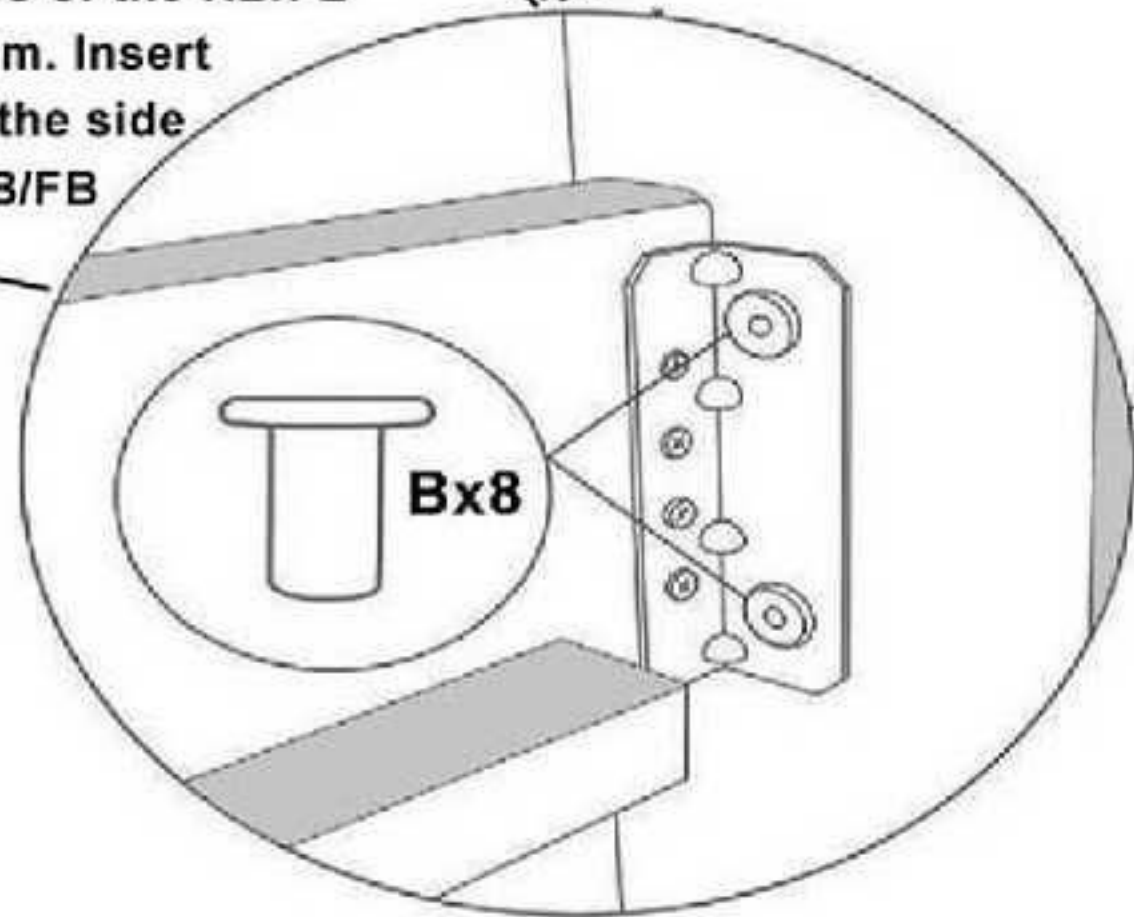
Cleats face upward



**Center Rail**

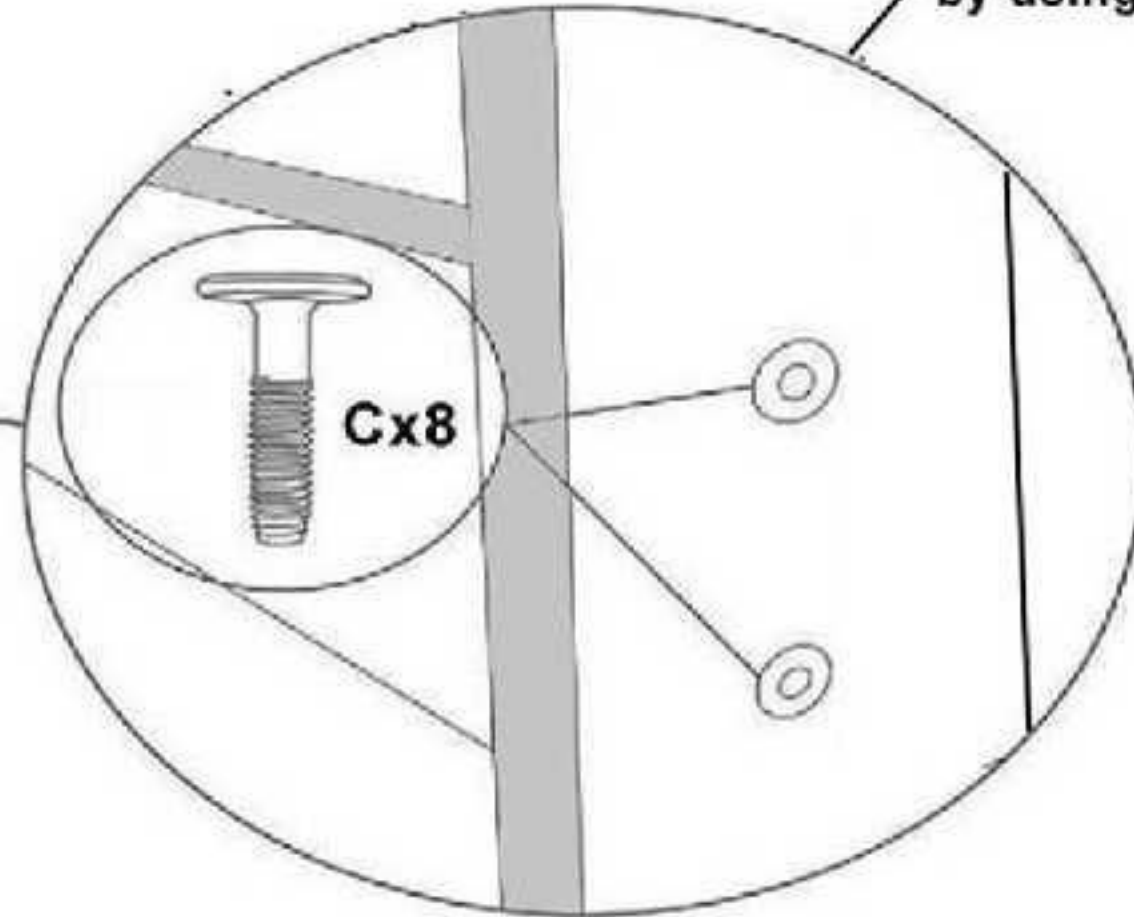
1) Align side rail to the holes of the HB/FB as indicated in the diagram. Insert bolts (#B) to the holes of the side rails connecting to the HB/FB from the inside view.

**Note:** Center rail is turned upside down with both wood cleats facing upward.



Inside View

2) Secure bolts (#B) into side rails and HB/FB by using bolt (#C) from the outside view.



Outside View

**STEP 2 #21, #21F**



Align 3 wires 12' from end and center on rails. Then, secure screws (#A) as shown in diagram.

