

82, and 82F INSTRUCTIONS

CONTAINERS

#82 TWIN MATES BED (2 CARTONS TOTAL)

- 1 Box Twin HB/FB (Hardware: 8 – 80mm bed bolts, 8 – weld nuts and 1 – Hex Key)
- 1 Box (2) Cleated Rails (Hardware: 3 – twin bed wires and 6 – twin bed wires screws)

#82F FULL MATES BED (2 CARTONS TOTAL)

- 1 Box Full HB/FB (Hardware: 8 – 80mm bed bolts, 8 – weld nuts and 1 – Hex Key)
- 1 Box (2) Cleated Rails (Hardware: 3 – full bed wires and 6 – bed wire screws)

TOOLS REQUIRED

Phillips Screwdriver or Electric Drill

Hex Key (Provided)

ASSEMBLY INSTRUCTIONS

1. Check cartons to be sure all wooden parts and hardware is included.
2. To begin assembly, obtain headboard, footboard and two cleated rails.
3. Hold the HB upright and insert 80mm bed bolts through pre-drilled holes on HB and metal brackets on rail and secure with weld nuts, as shown in Figure 1.
4. Repeat step 3 for the other side.
5. Attach FB to the other end using same method, as shown in steps 3 & 4.
6. Secure bed wires with bed wire screws to top of cleated rails, as shown in Figure 2.

Hardware – (Actual Size not Shown)


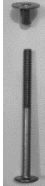

		
Hex Key	80mm Bed Bolt and Weld Nut	Bed Wire and 1" Screw
#82=1 #82F=1	#82=8 #82F=8	#82=3 #82F=3

Fig. 1

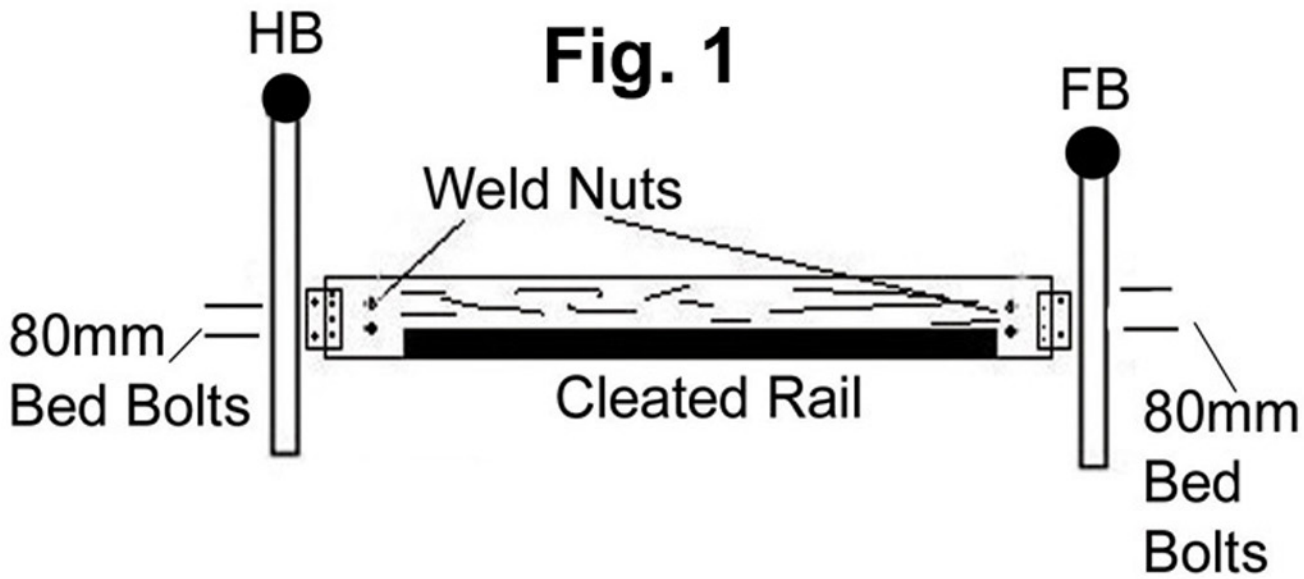
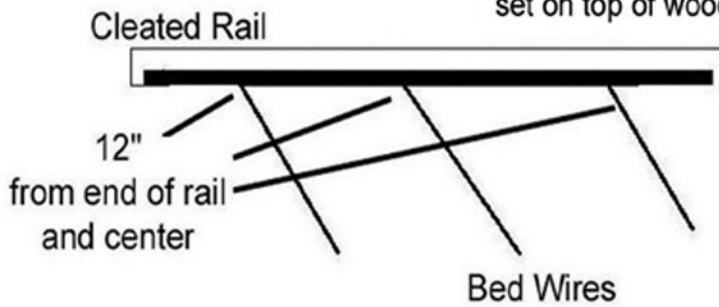


Fig. 2

Wood cleat goes toward bottom of rail. Bed wires set on top of wood cleat.



#3082



Shown with optional #3060 Four-Drawer Under Bed Unit



Pine Crafter Furniture
P.O. Box 1100
Haleyville, Alabama 35565
www.pinecrafter.com
P: 205.486.2153
F: 205.486.3504