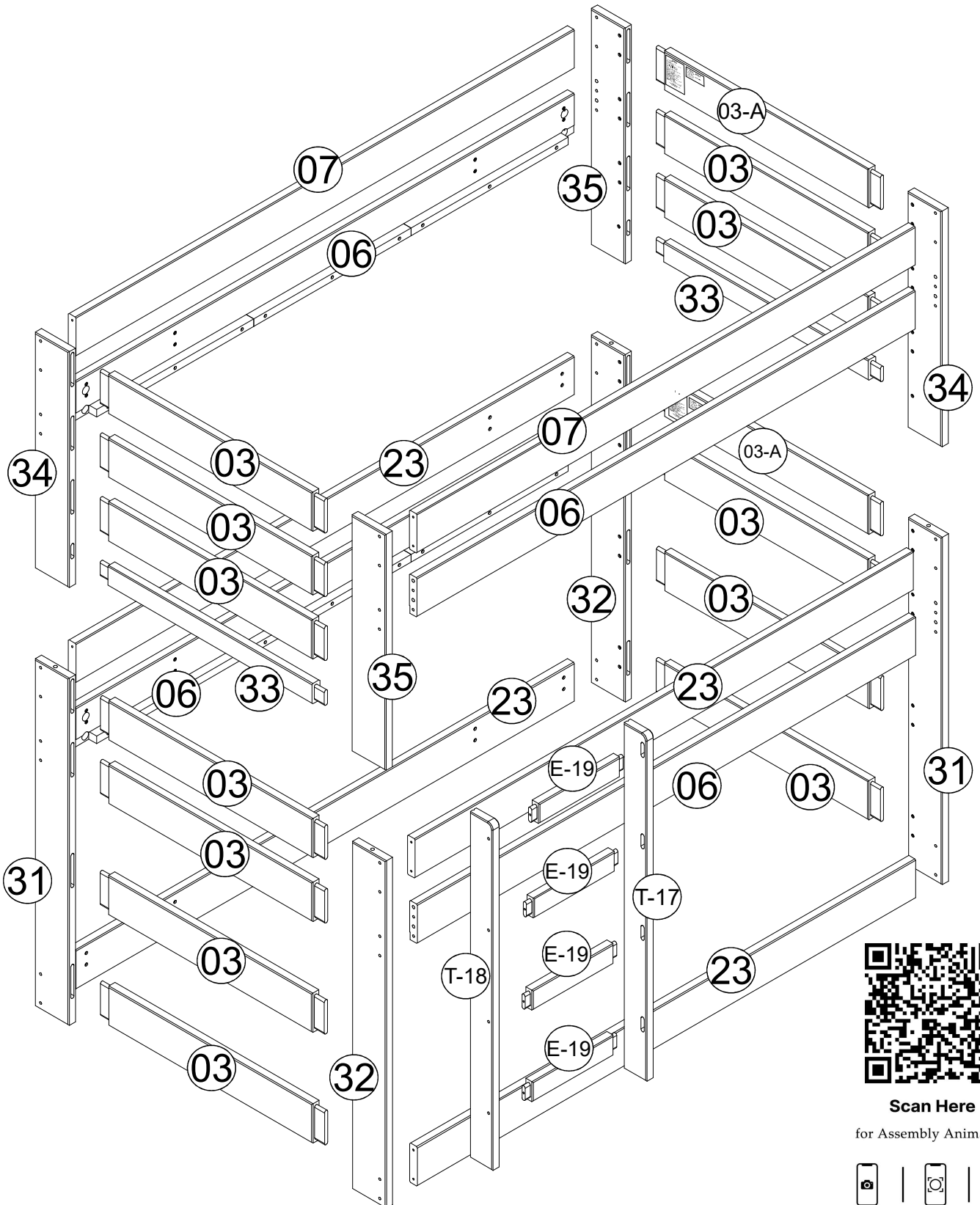


# 03X



Scan Here  
for Assembly Animation



OPEN YOUR  
CAMERA



AIM AT THE  
QR CODE



TAP THE  
BANNER

**READ THESE INSTRUCTIONS CAREFULLY BEFORE ATTEMPTING TO ASSEMBLE THIS BED**

## **⚠ WARNING ⚠**

**To help prevent** serious or fatal injuries from entrapment or falls:

- \* Read & follow the information on the WARNING shown on the end structure of the upper bunk or on the carton.
- \* **DO NOT** remove the warning label from the bed.
- \* Keep these instructions for future reference.
- \* Use only a mattress meeting the following specifications on all upper and lower bunks.

Bed Type	Width	Length		Bed Type	Width	Length
Standard Twin	37½"-38½"	74"-75"		XL Twin	37½"-38½"	79"-80"
Standard Full	52½"-53½"	74"-75"		XL Full	52½"-53½"	79"-80"

- \* Total thickness of both mattress and foundation combined **MUST NOT EXCEED 6"** for all top and bottom bunks.
  - \* Surface of mattress must be at least 5 inches (127mm) below the upper edge of guardrails.
  - \* The **MAXIMUM** weight capacity for the upper bunk is not to exceed 225 lbs.
  - \* **DO NOT** allow children under 6 years of age to use upper bunk.
  - \* Periodically check and ensure that the guardrails, ladder, handle and other components are in their proper position, free from damage and that all connectors are tightened and secure.
  - \* **DO NOT** allow horseplay, rough playing or jumping on the beds and do not allow playing or hiding under the beds.
  - \* Always use the ladder for entering or leaving the upper bunk.
  - \* **DO NOT** use substitute parts. Contact the manufacturer or dealer for replacement parts.
  - \* Use of a nightlight may provide added safety precaution for a person using the upper bunk.
  - \* Always use the guardrails on both sides of the upper bunk.
  - \* If the bunk bed will be placed next to a wall, the guardrails that run the full length of the bed should be placed against the wall to prevent entrapment between the bed and the wall.
  - \* The use of water or sleep flotation mattresses is prohibited.
  - \* No more than one person is allowed on the upper bunk at a time.
- STRANGULATION HAZARD:** Never attach or hang objects to any part of the bed that are not designed for use with the bed. Objects such as hangers, hooks, belts, bags, ropes, string, etc. should not be used on or around the bunk bed.

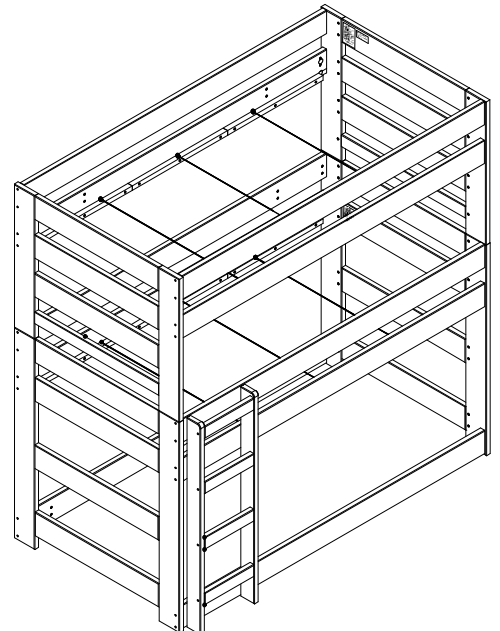
### **DO NOT REMOVE THIS LABEL**

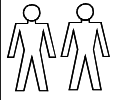
**SLAT KIT, BUNKIE BOARD, or BUNKIE MATTRESS MUST BE USED WITH THIS BUNK BED  
MAXIMUM WEIGHT LIMIT IS 225 LBS.**

### **REPLACEMENT PARTS**

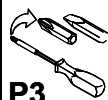
Replacement parts, including additional guardrails, may be obtained from:

Pine Crafter Furniture  
PO Box 1100  
Haleyville, AL 35565  
P: 205.486.2153

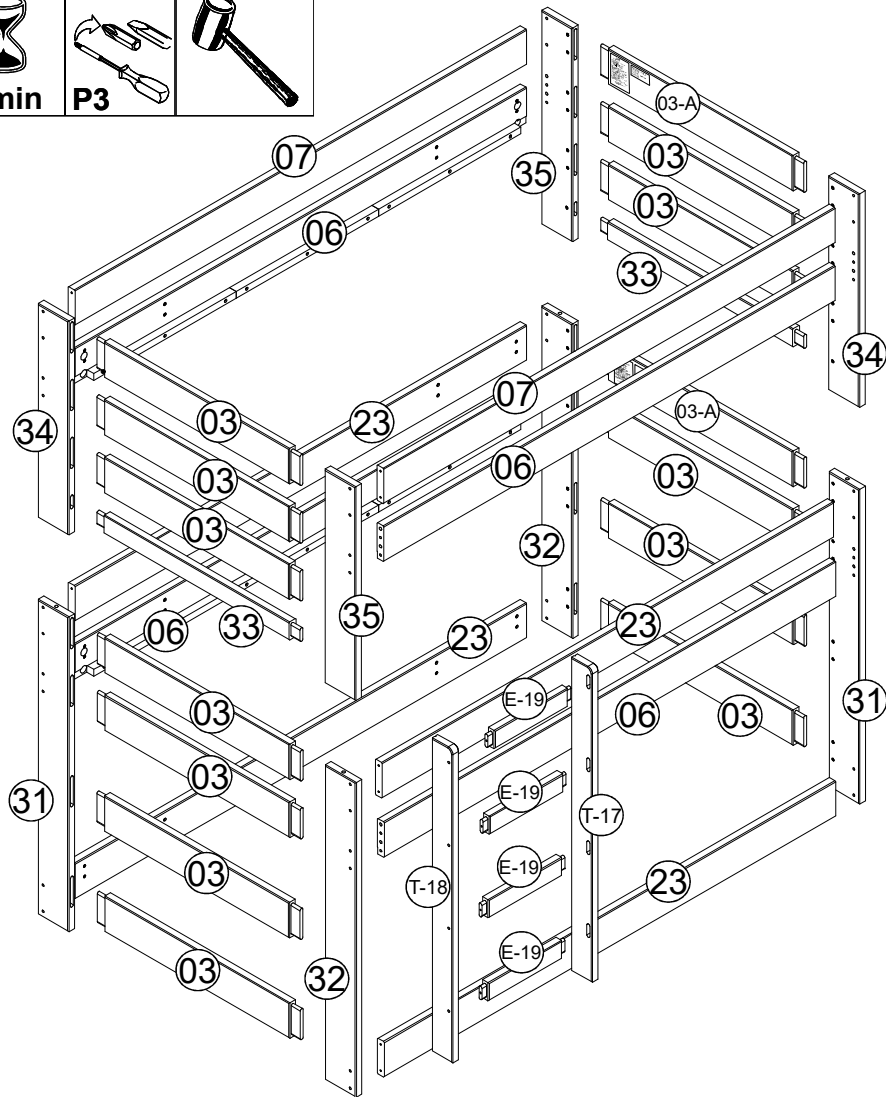


**03X**

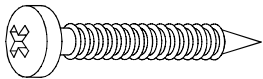

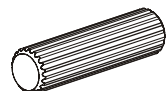
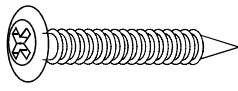
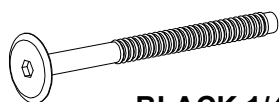
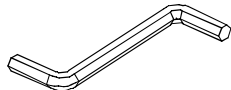
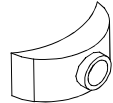

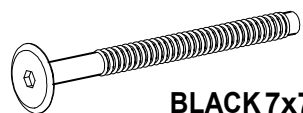
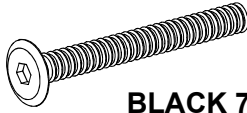
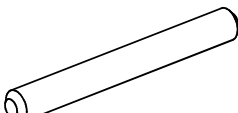
90 min



P3

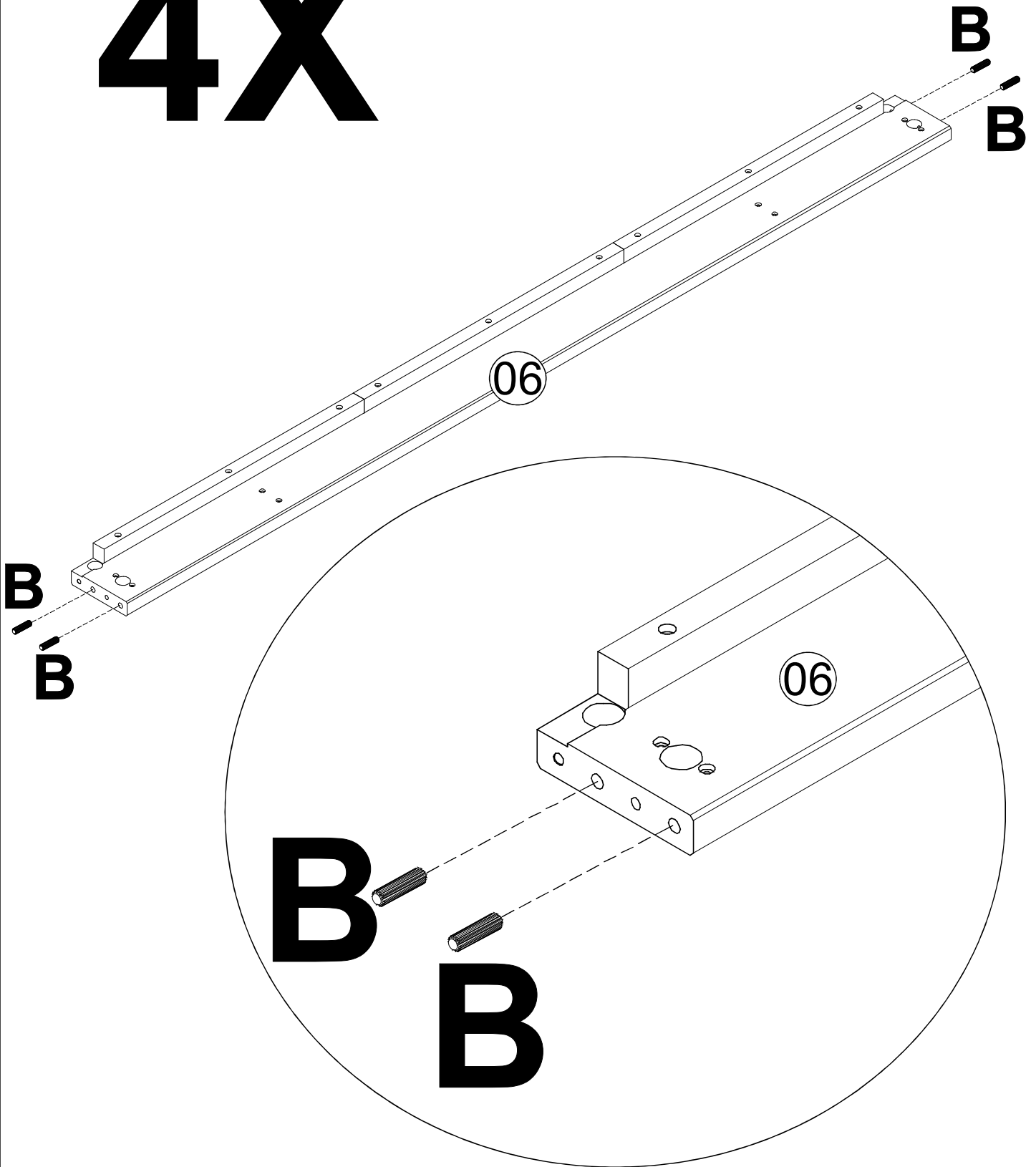


# **PARTS LIST 03X**

<b>A</b>	 BLACK 4,5X20		<b>F</b>		<b>12</b>
<b>B</b>	 10X40	<b>16</b>	<b>G</b>		<b>12</b>
<b>C</b>	 BLACK 1/4X70	<b>16</b>	<b>H</b>	 SILVER	<b>01</b>
<b>D</b>	 SILVER	<b>16</b>	<b>I</b>	 TOP BED WIRE SILVER	<b>06</b>
<b>E</b>	 BLACK 7x70	<b>24</b>	<b>J</b>	 BLACK 7X50	
			<b>K</b>	 9,52x85	<b>04</b>

01

4X

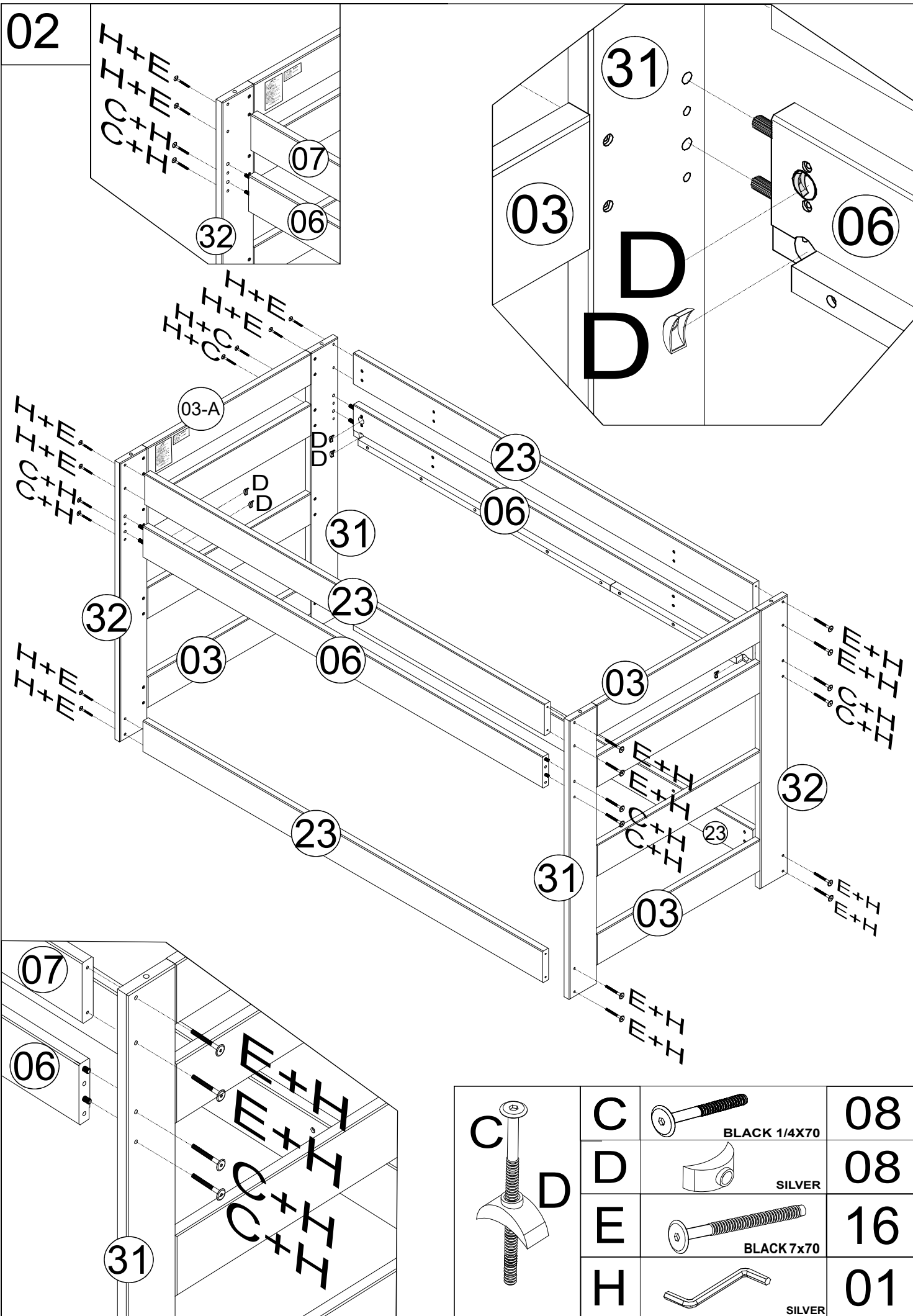


B



10x40

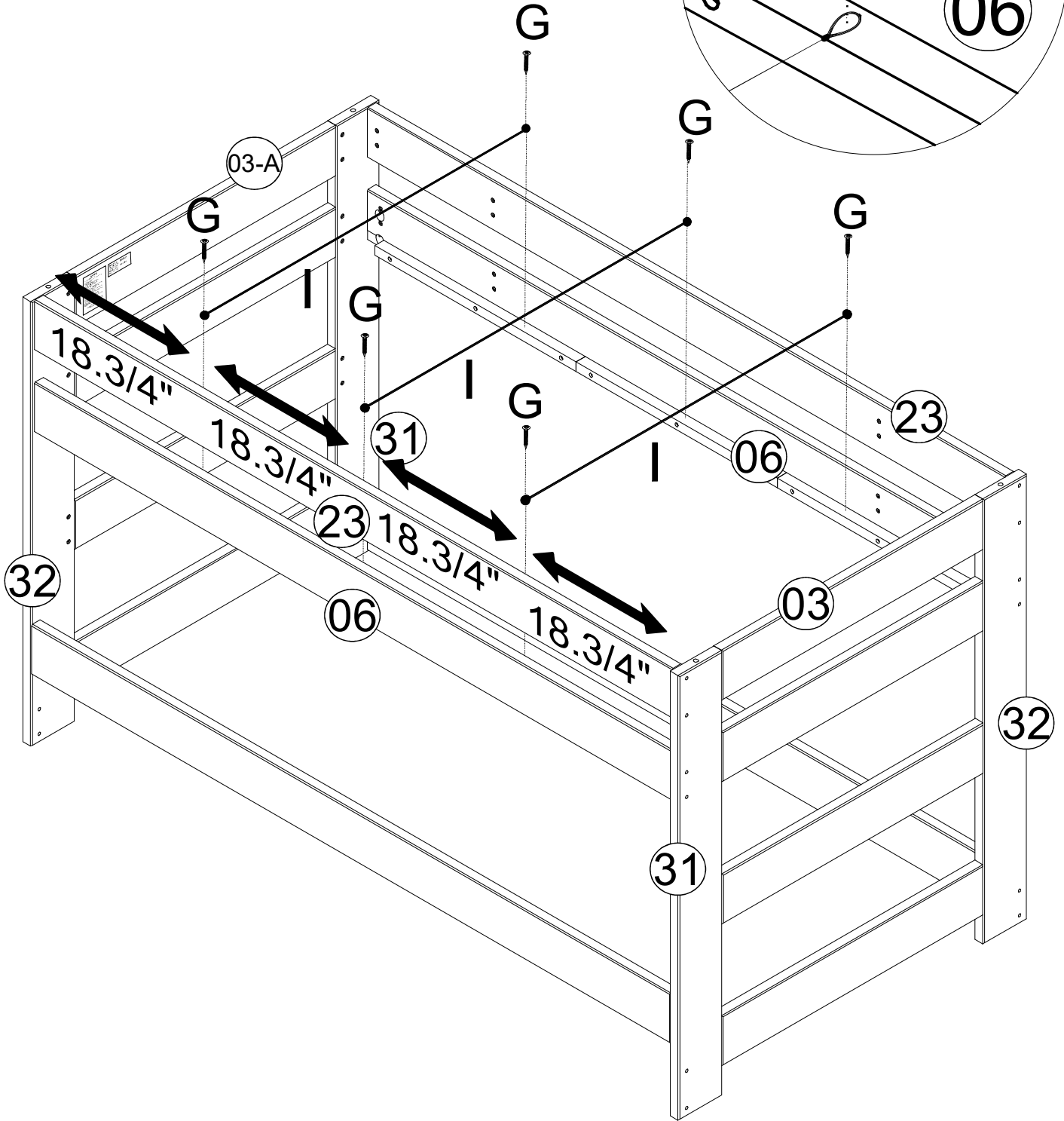
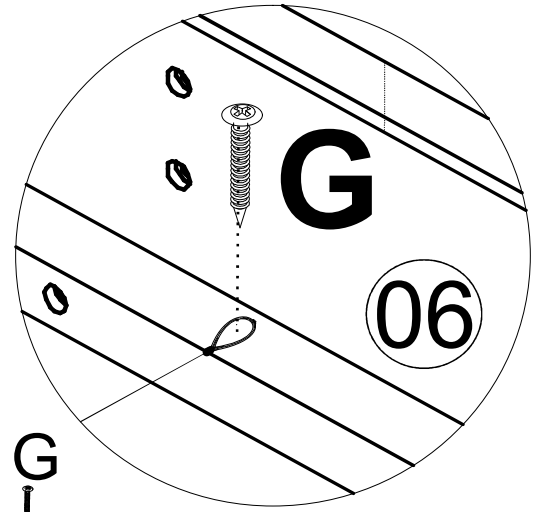
16





<p>C</p>	<p>D</p>	<p>E</p>	<p>H</p>
	<p>BLACK 1/4X70</p>	<p>SILVER</p>	<p>BLACK 7x70</p>
	<p>08</p>	<p>08</p>	<p>16</p>
	<p>08</p>	<p>SILVER</p>	<p>01</p>

03

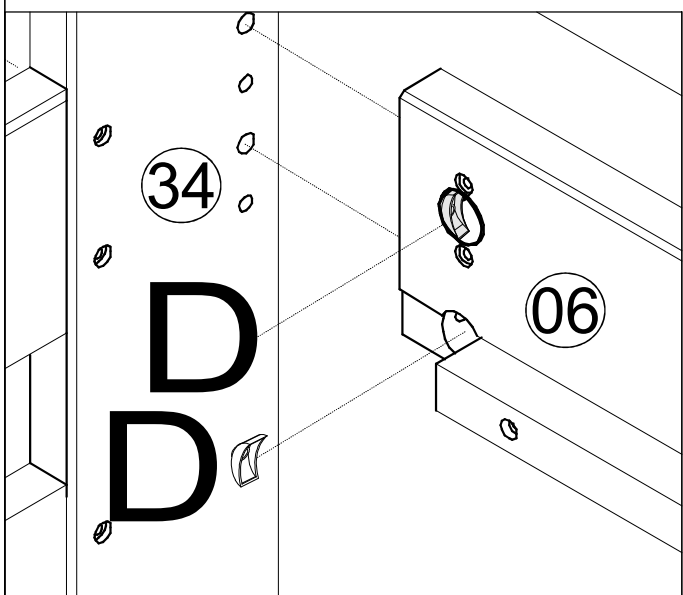
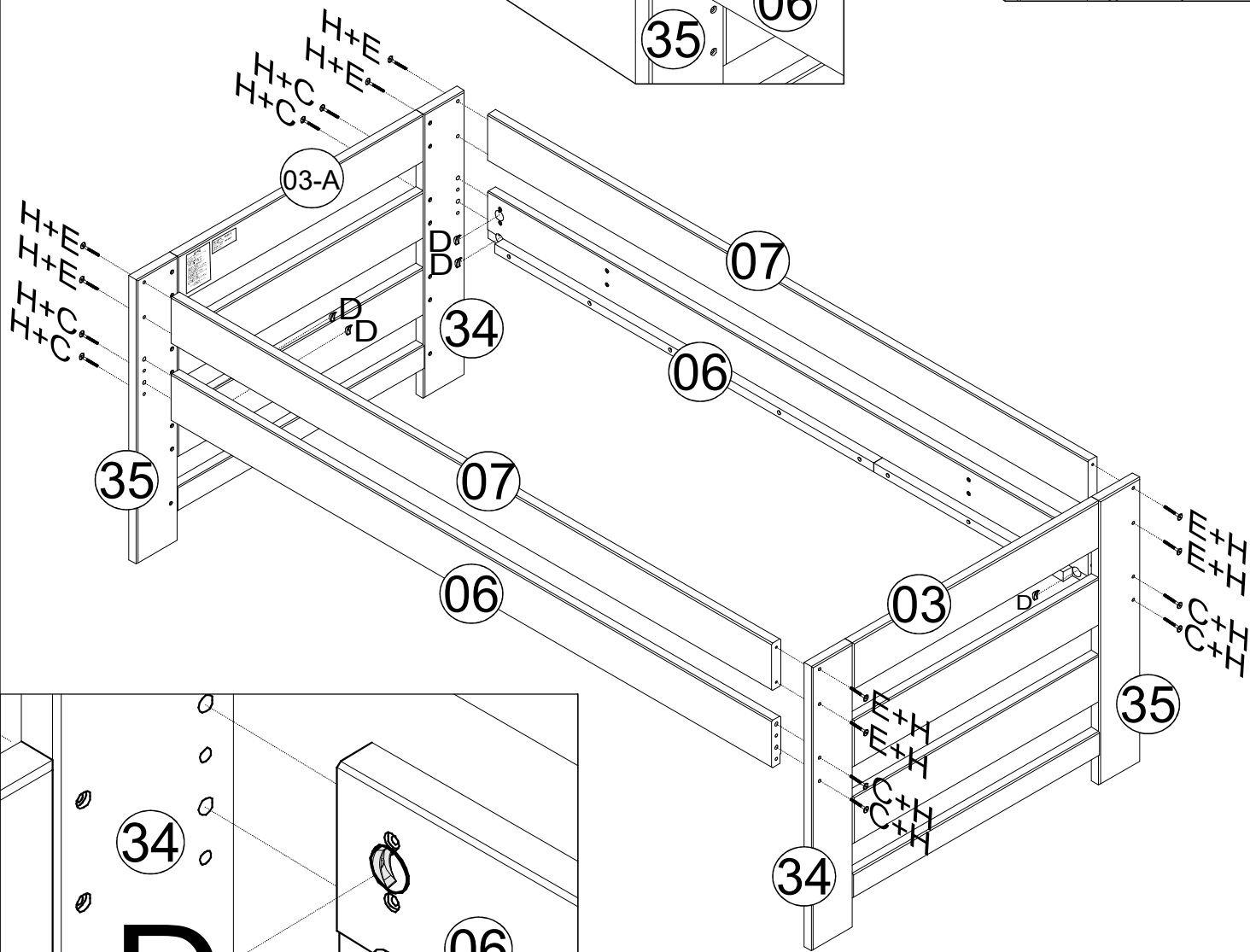
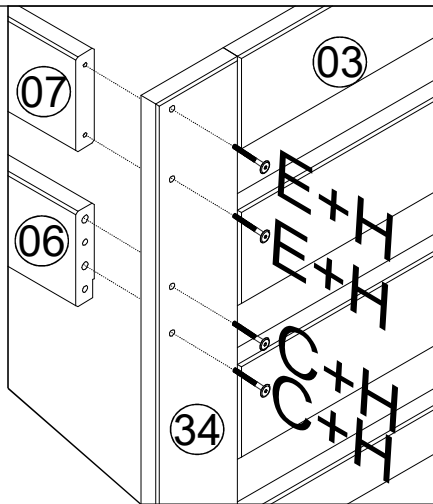
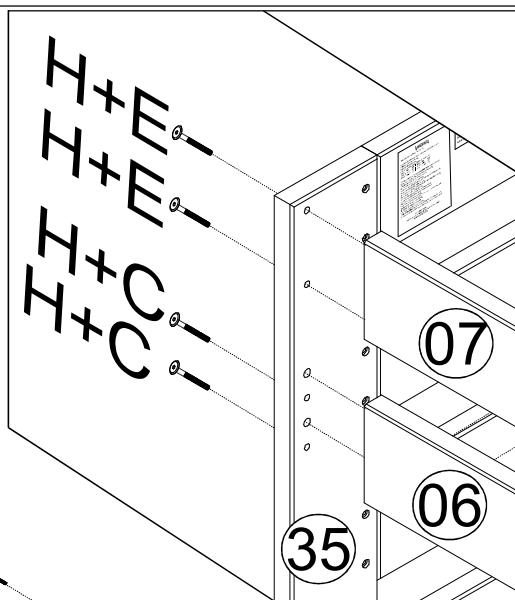
Bed wires are not to be used as a foundation. Their purpose is to keep the mattress from falling through bed frame. A separate bunkie board, slat kit, plywood or innerspring mattress must be used for a foundation.



<b>G</b>	 GOLD 4,0X22	<b>06</b>
<b>I</b>	 SILVER	<b>03</b>



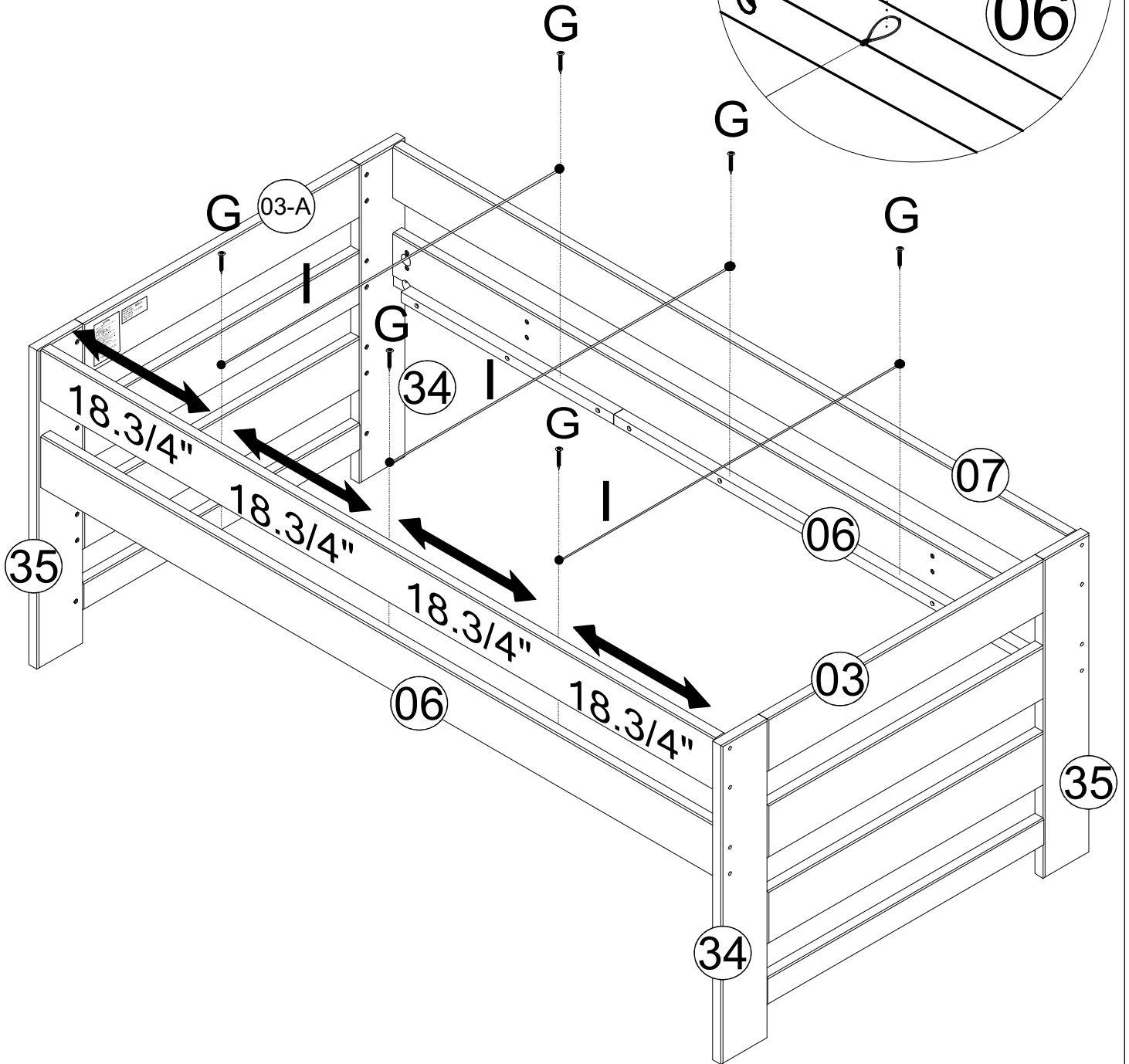
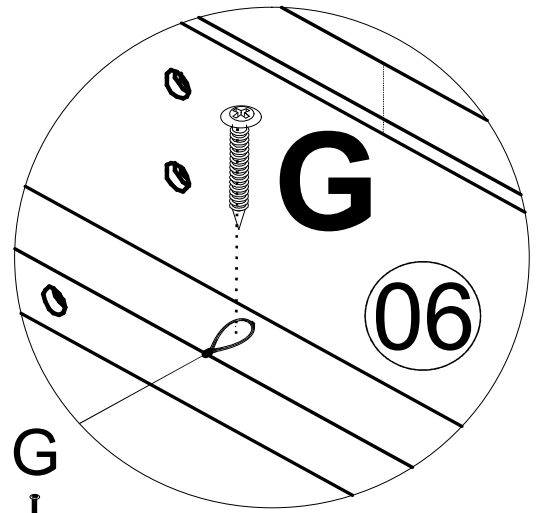
04





	C	 BLACK 1/4X70	08
	D	 SILVER	08
	E	 BLACK 7x70	08
	H	 SILVER	01

05

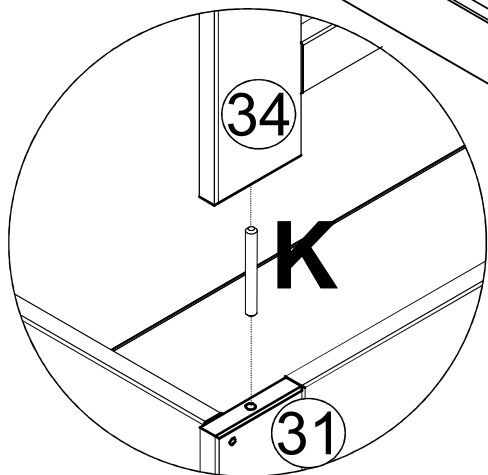
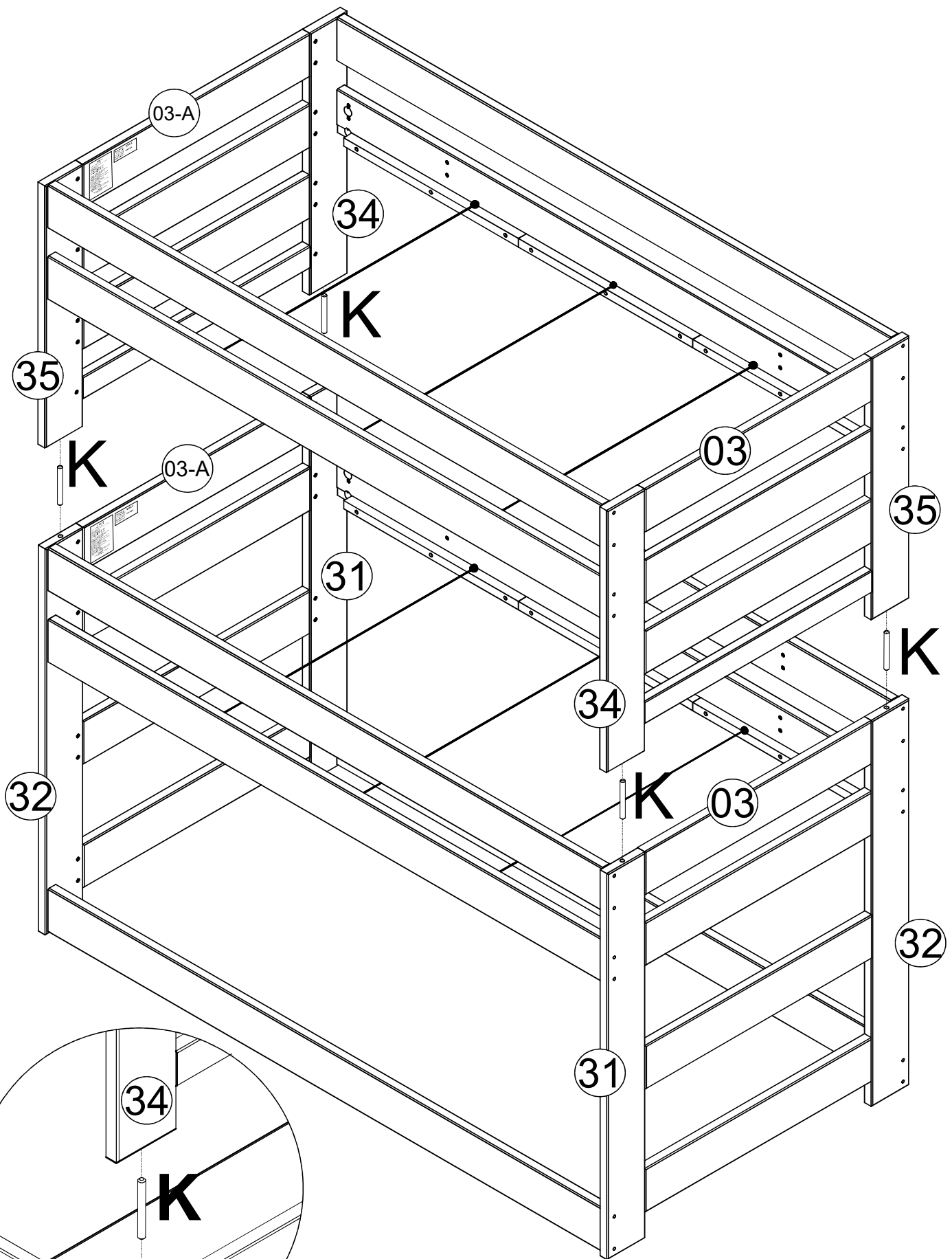
Bed wires are not to be used as a foundation. Their purpose is to keep the mattress from falling through bed frame. A separate bunkie board, slat kit, plywood or innerspring mattress must be used for a foundation.

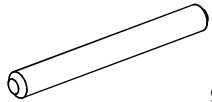


<b>G</b>	 GOLD 4,0X22	<b>06</b>
<b>I</b>	 SILVER	<b>03</b>



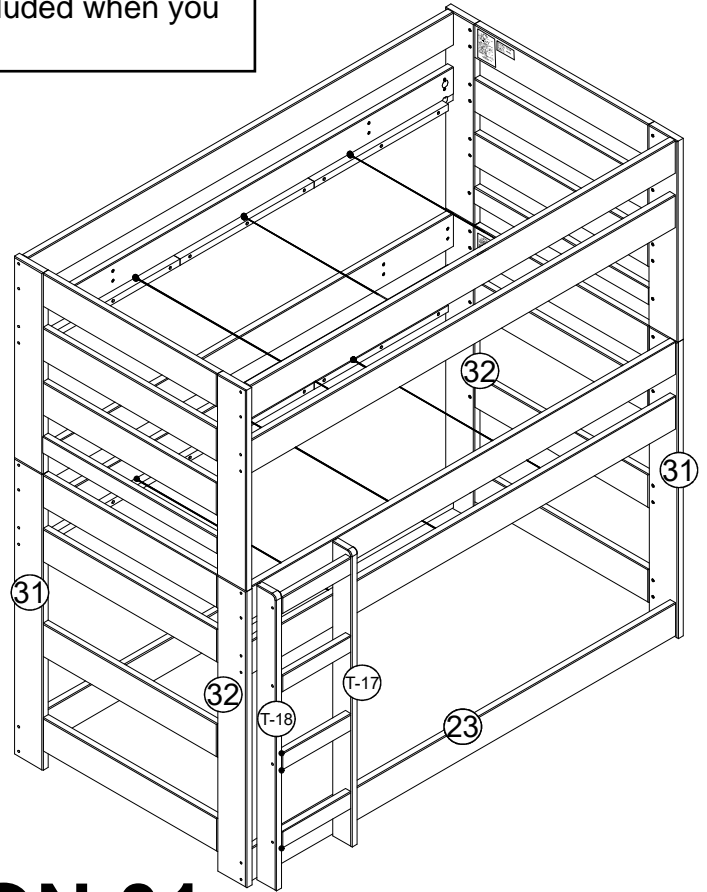
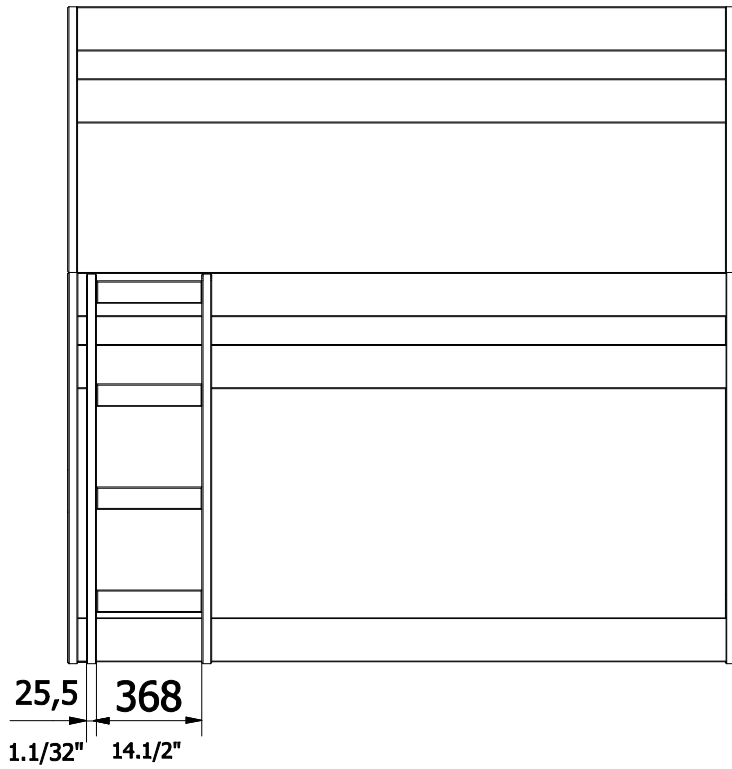
06



<b>K</b>	 9,52x85	<b>04</b>
----------	--	-----------

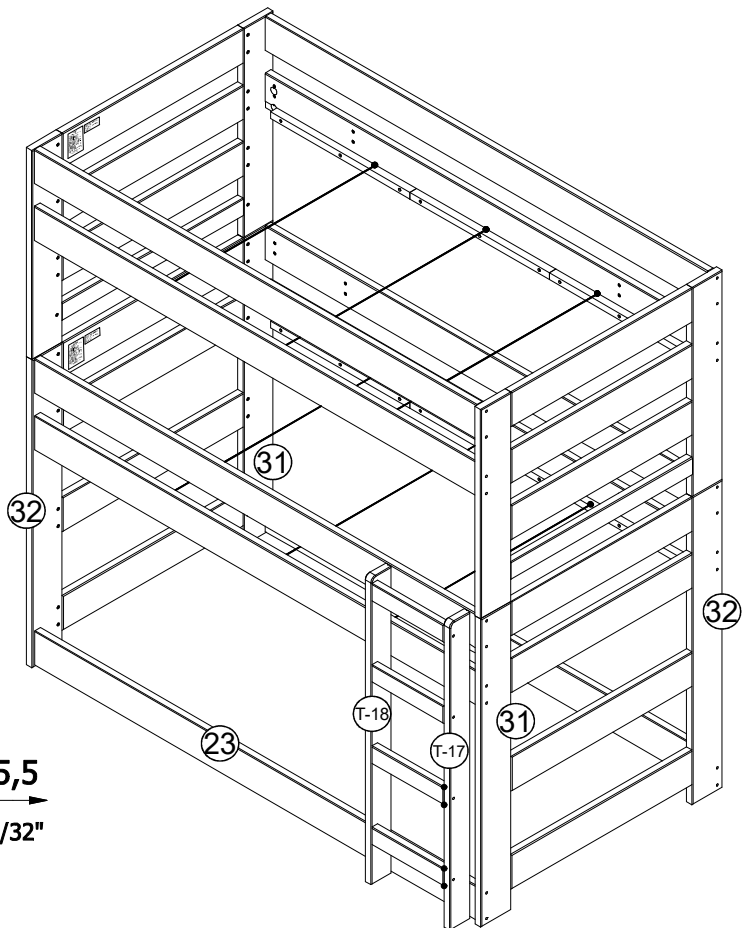
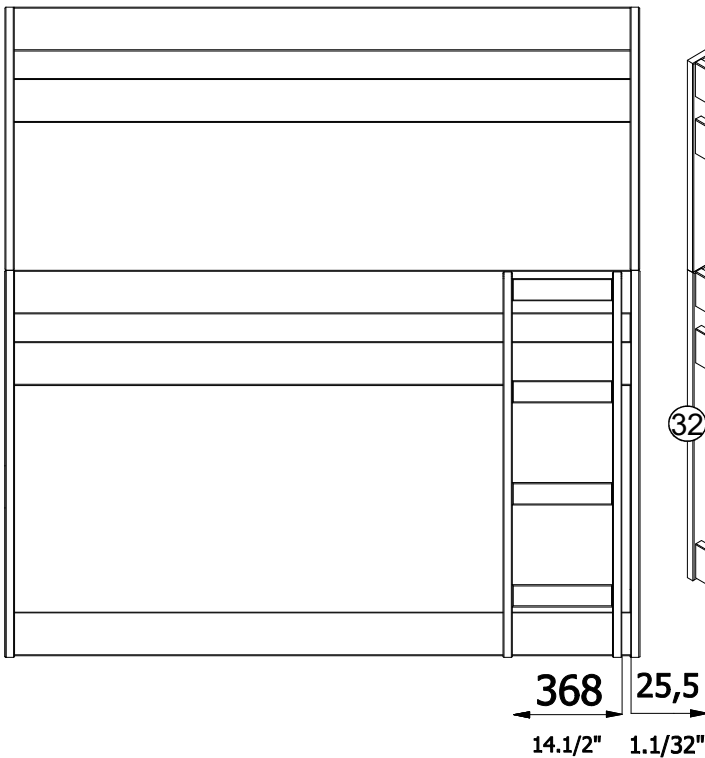
07

**NOTE:** Ladder is only included when you purchase complete 03X bed. Ladder is not included when you purchase the 03XB bottom bed only.



## OPTION 01

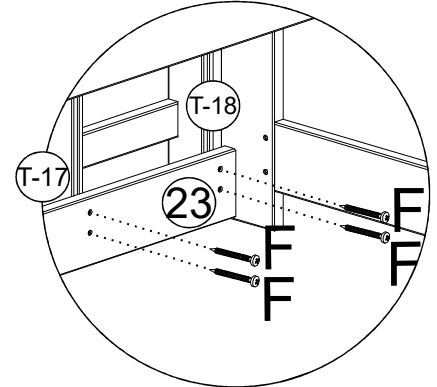
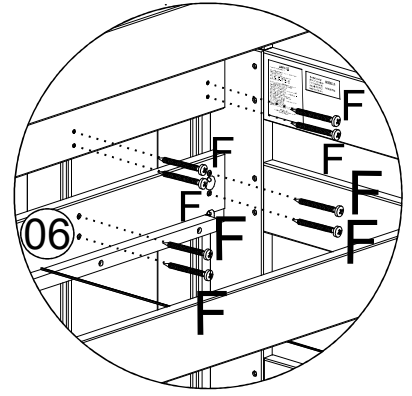
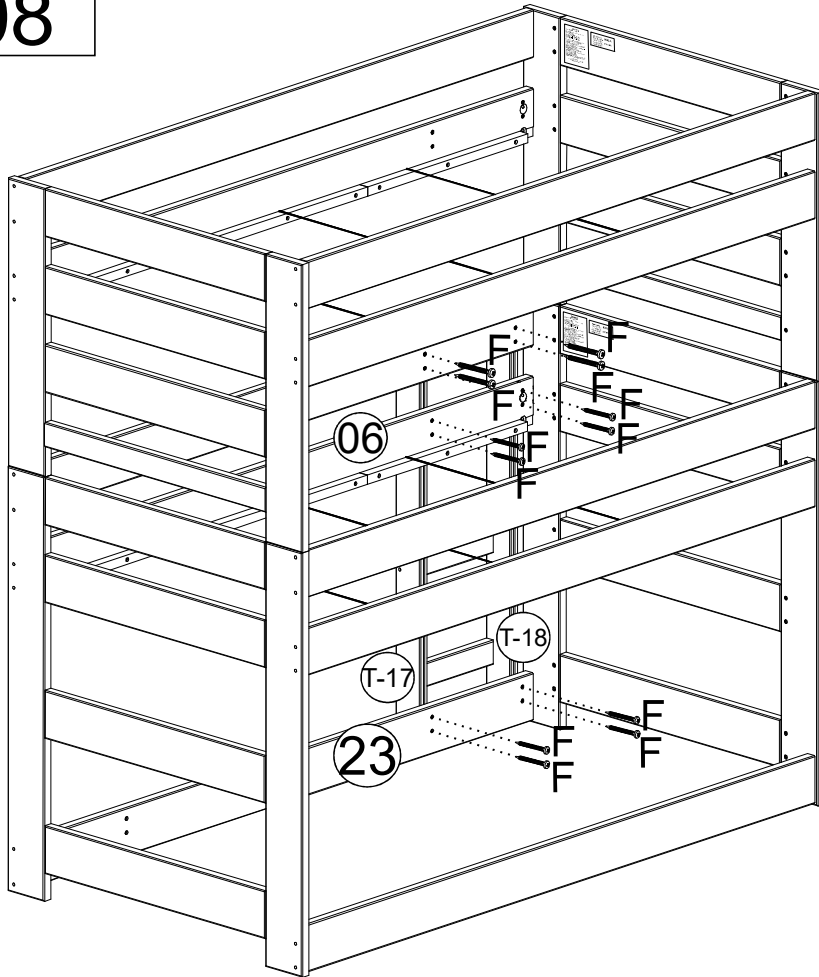
07A



## OPTION 02

08

# OPTION 01

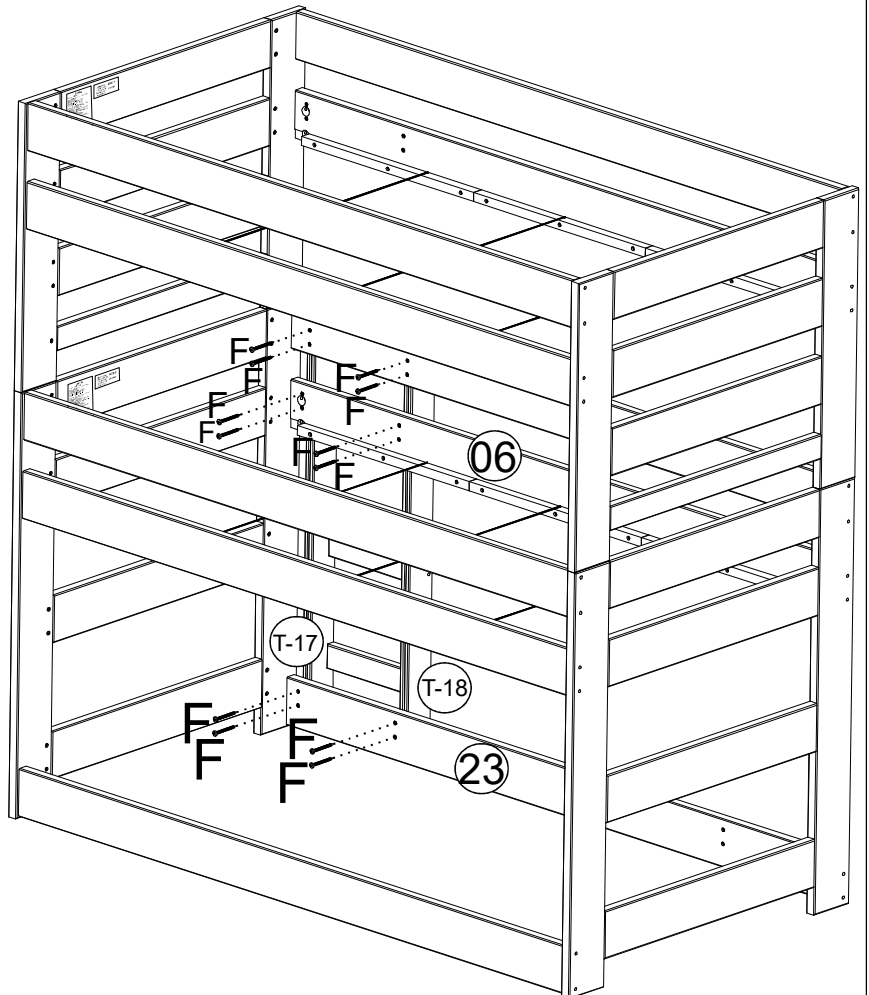
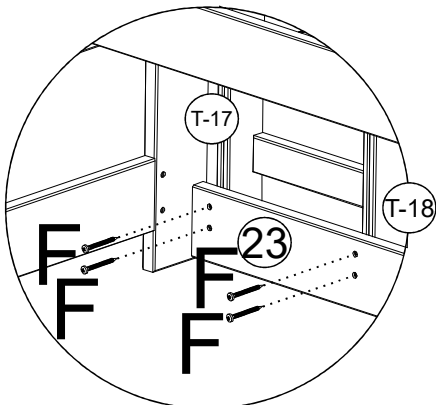
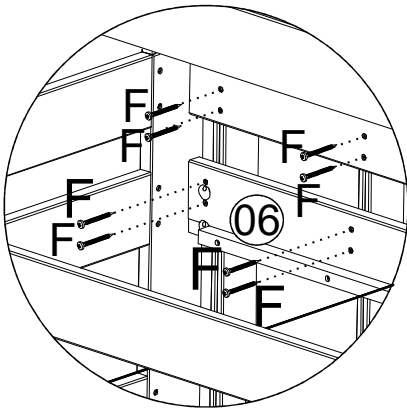


F



12

# 08A OPTION 02



F



12