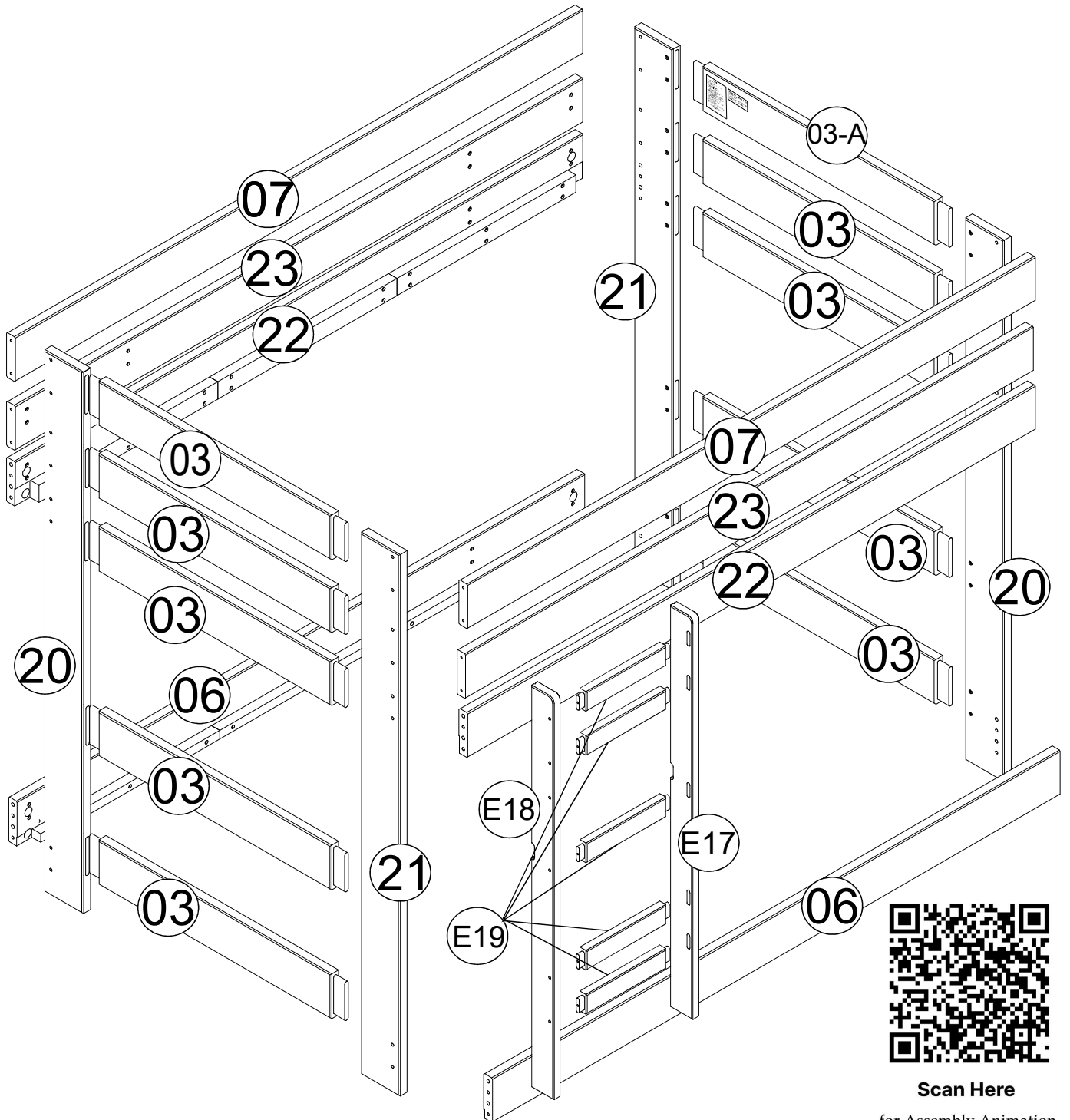


06X



Scan Here
for Assembly Animation



READ THESE INSTRUCTIONS CAREFULLY BEFORE ATTEMPTING TO ASSEMBLE THIS BED

⚠ WARNING ⚠

To help prevent serious or fatal injuries from entrapment or falls:

- * Read & follow the information on the WARNING shown on the end structure of the upper bunk or on the carton.
- * **DO NOT** remove the warning label from the bed.
- * Keep these instructions for future reference.
- * Use only a mattress meeting the following specifications on all upper and lower bunks.

Bed Type	Width	Length		Bed Type	Width	Length
Standard Twin	37½"-38½"	74"-75"		XL Twin	37½"-38½"	79"-80"
Standard Full	52½"-53½"	74"-75"		XL Full	52½"-53½"	79"-80"

- * Total thickness of both mattress and foundation combined **MUST NOT EXCEED 11"** for all top and bottom bunks.
 - * Surface of mattress must be at least 5 inches (127mm) below the upper edge of guardrails.
 - * The **MAXIMUM** weight capacity for the upper bunk is not to exceed 325 lbs.
 - * **DO NOT** allow children under 6 years of age to use upper bunk.
 - * Periodically check and ensure that the guardrails, ladder, handle and other components are in their proper position, free from damage and that all connectors are tightened and secure.
 - * **DO NOT** allow horseplay, rough playing or jumping on the beds and do not allow playing or hiding under the beds.
 - * Always use the ladder for entering or leaving the upper bunk.
 - * **DO NOT** use substitute parts. Contact the manufacturer or dealer for replacement parts.
 - * Use of a nightlight may provide added safety precaution for a person using the upper bunk.
 - * Always use the guardrails on both sides of the upper bunk.
 - * If the bunk bed will be placed next to a wall, the guardrails that run the full length of the bed should be placed against the wall to prevent entrapment between the bed and the wall.
 - * The use of water or sleep flotation mattresses is prohibited.
 - * No more than one person is allowed on the upper bunk at a time.
- STRANGULATION HAZARD:** Never attach or hang objects to any part of the bed that are not designed for use with the bed. Objects such as hangers, hooks, belts, bags, ropes, string, etc. should not be used on or around the bunk bed.

DO NOT REMOVE THIS LABEL

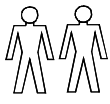
SLAT KIT, BUNKIE BOARD, or WOOD FOUNDATION MUST BE USED WITH THIS BUNK BED FOR MATTRESS SUPPORT
MAXIMUM WEIGHT LIMIT IS 325 LBS.

REPLACEMENT PARTS

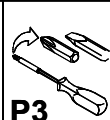
Replacement parts, including additional guardrails, may be obtained from:

Pine Crafter Furniture - Ph: 205.486.2153 - Email: sales@pinecrafter.com

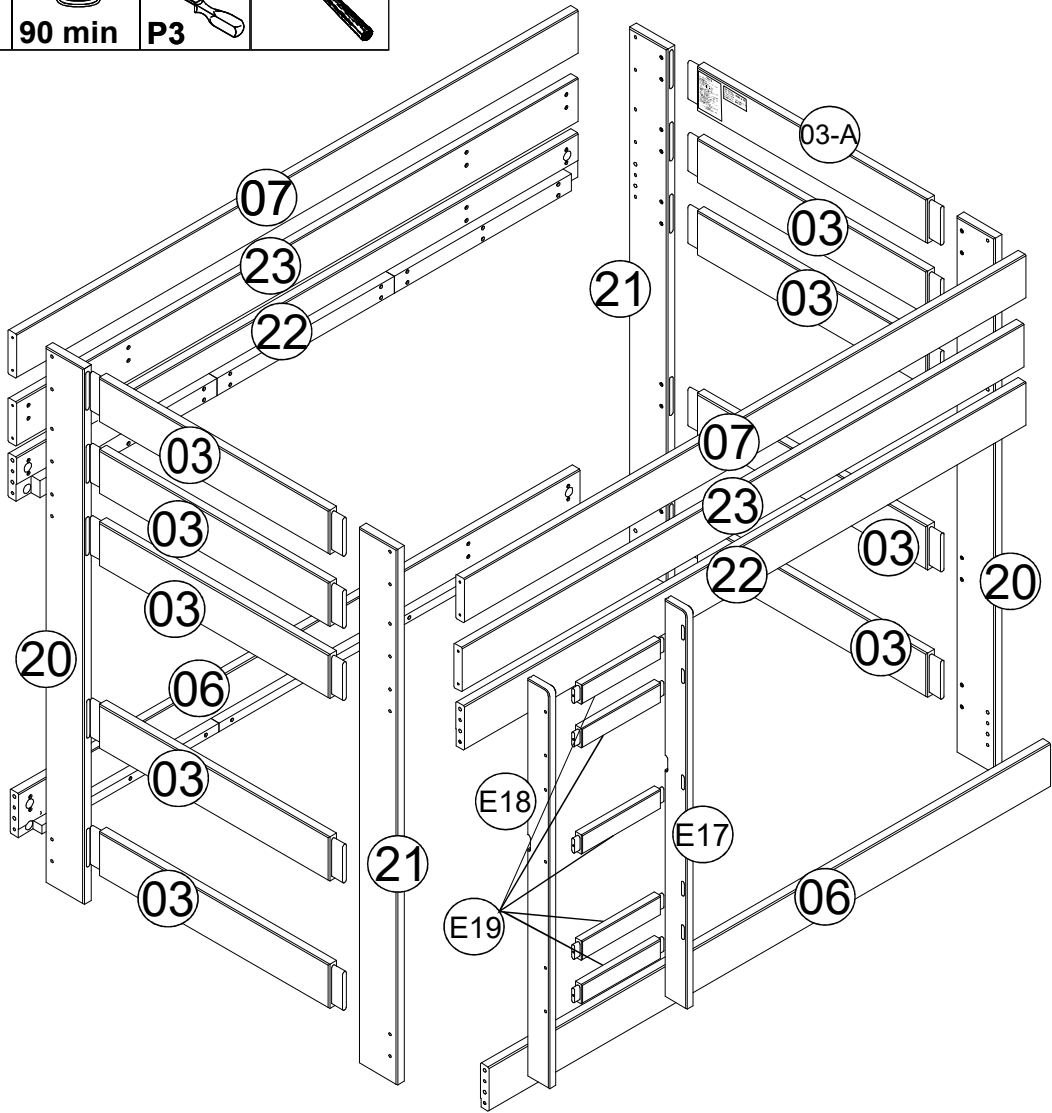
06X



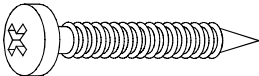
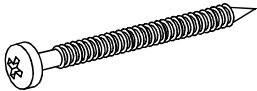
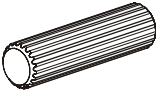
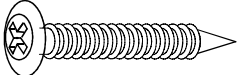
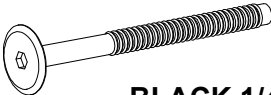
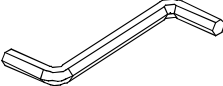
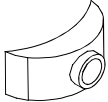

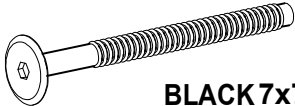

90 min



P3

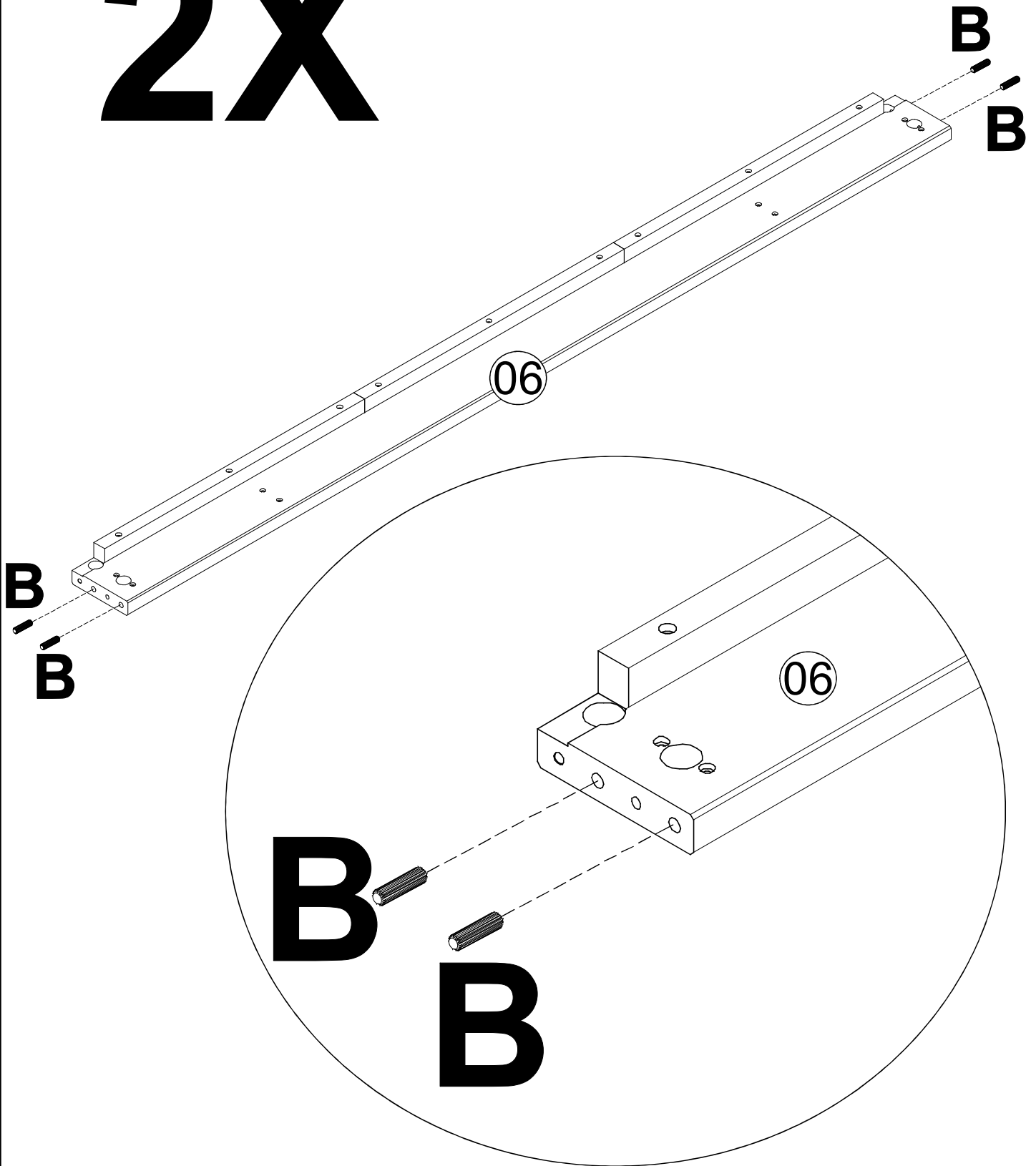


PARTS LIST 06X

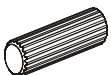
A	 BLACK 4,5X20		F	 SILVER	12
B	 10X40	16	G	 SILVER	12
C	 BLACK 1/4X70	16	H	 SILVER	01
D	 SILVER	16	I	 TOP BED WIRE SILVER	06
E	 BLACK 7x70	16	J	 BLACK 7X50	

01

2X



B

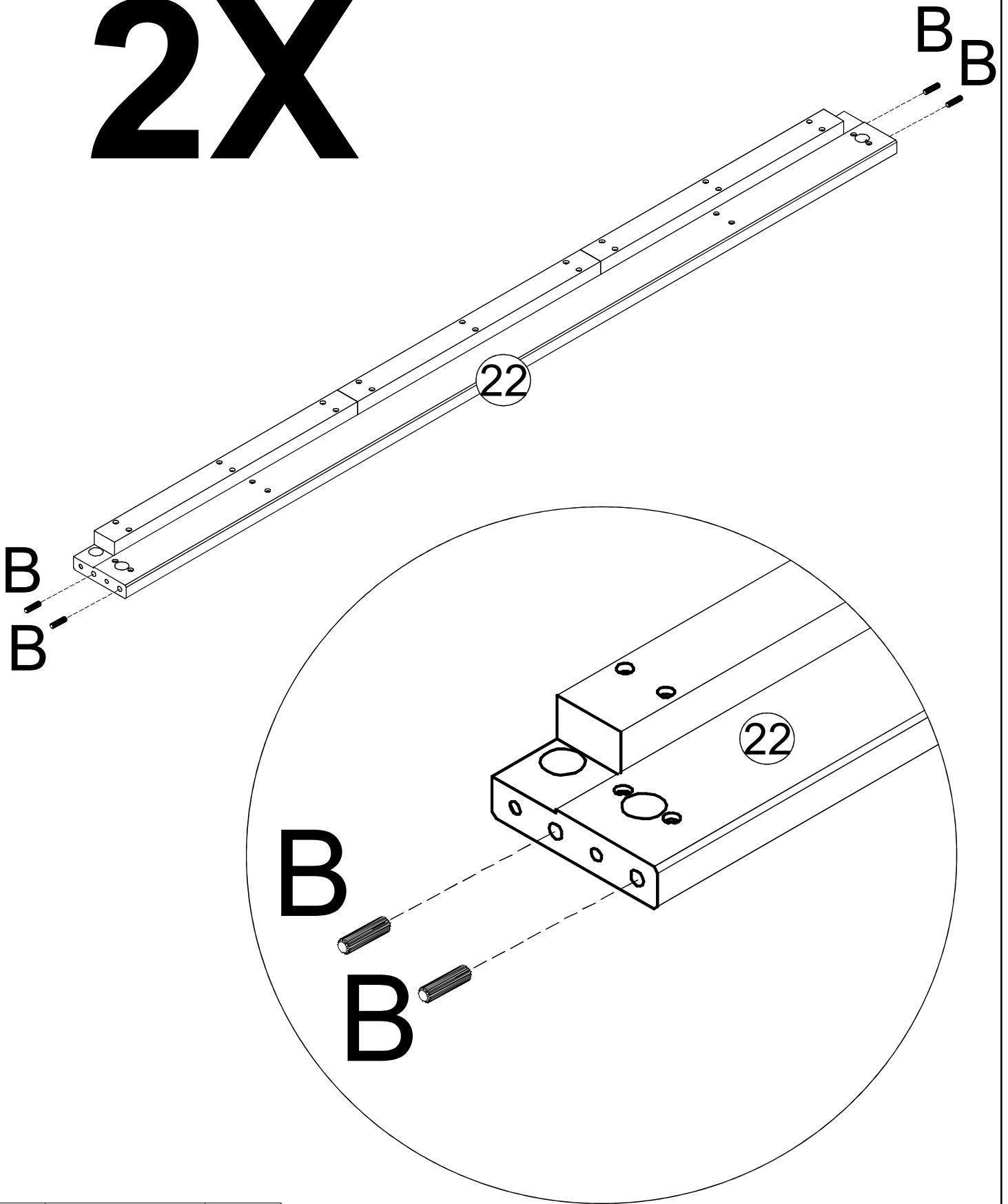


10x40

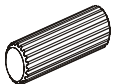
08

02

2X



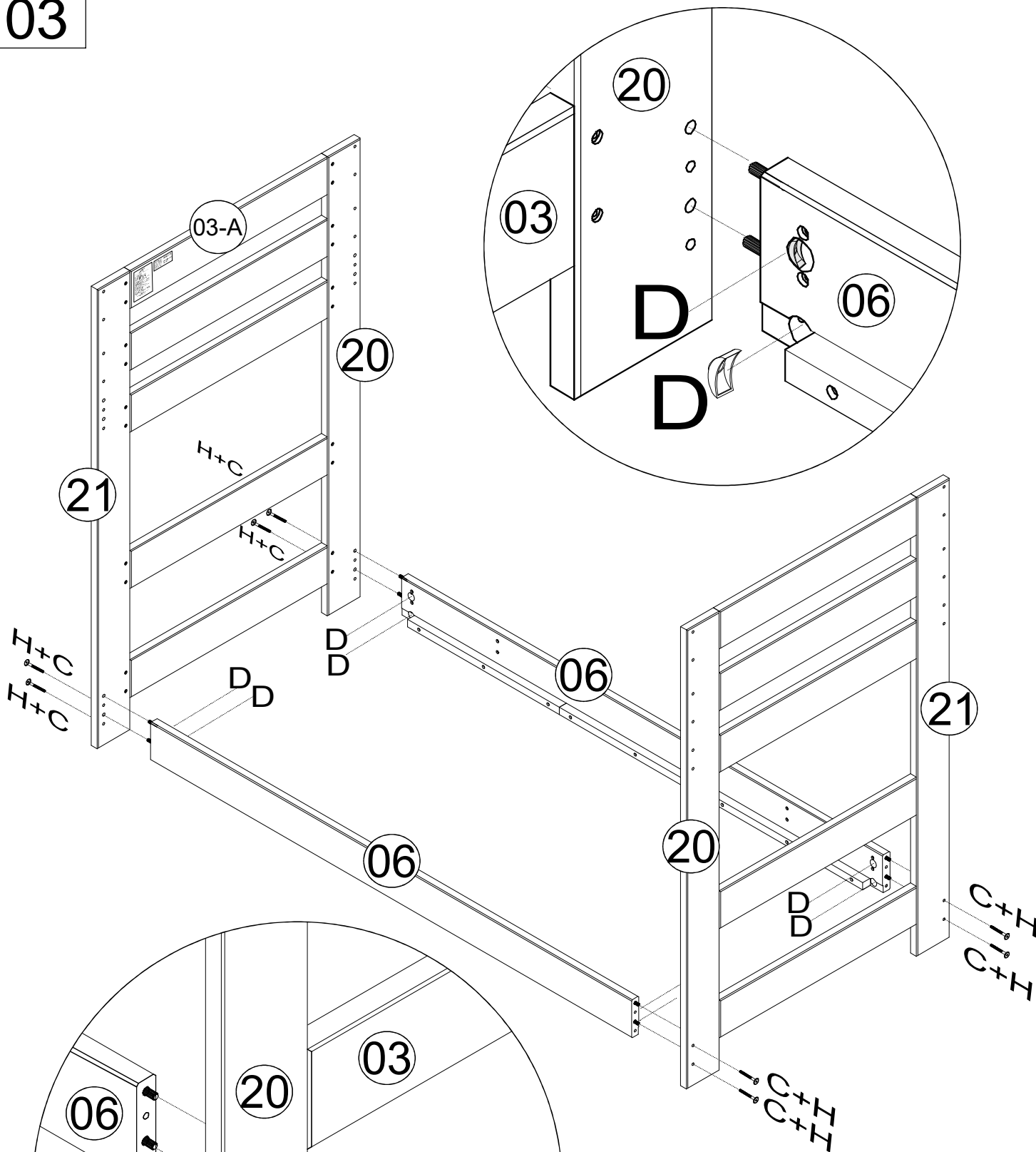
B

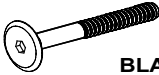
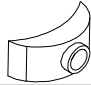
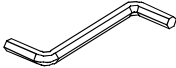


10x40

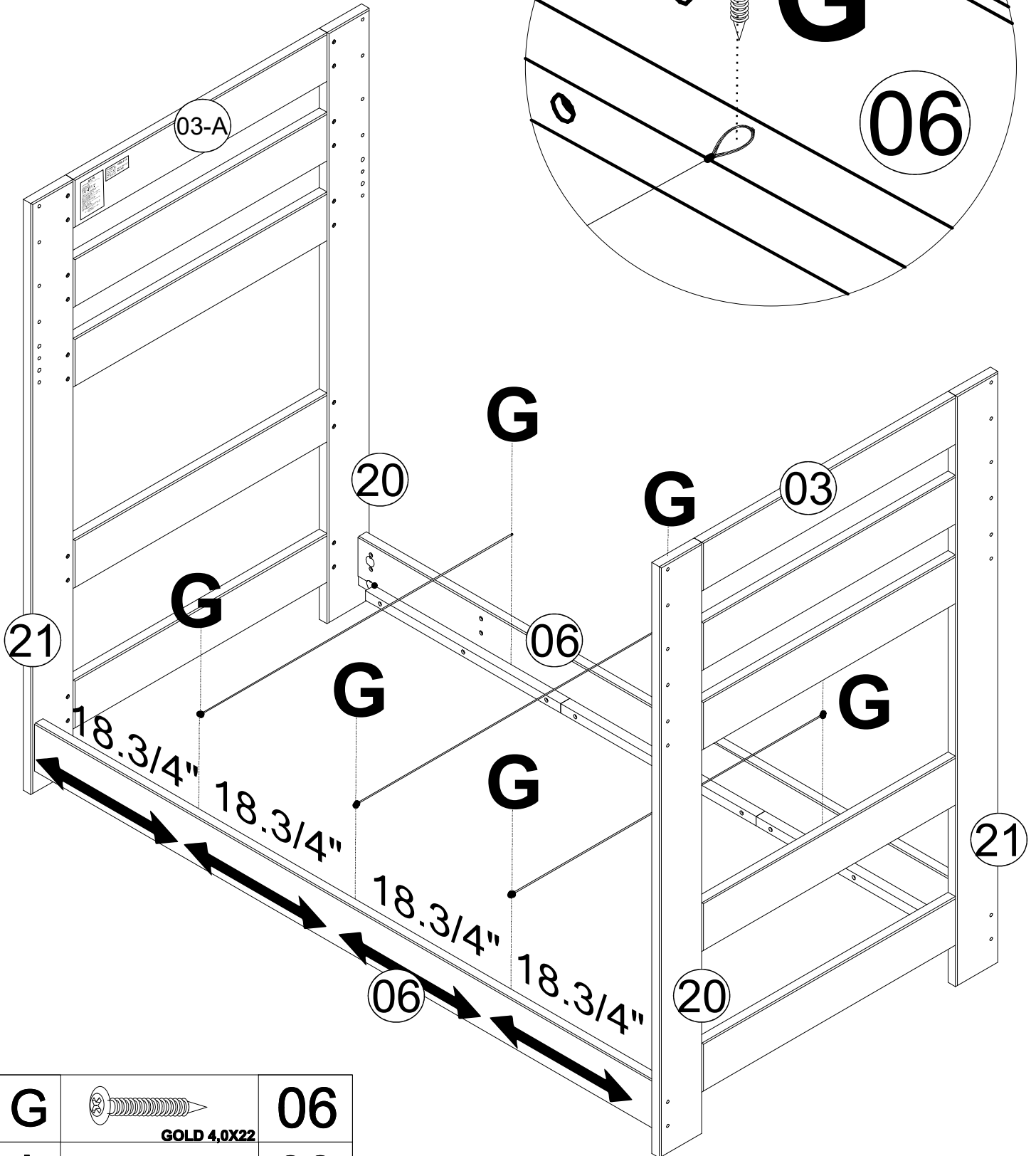
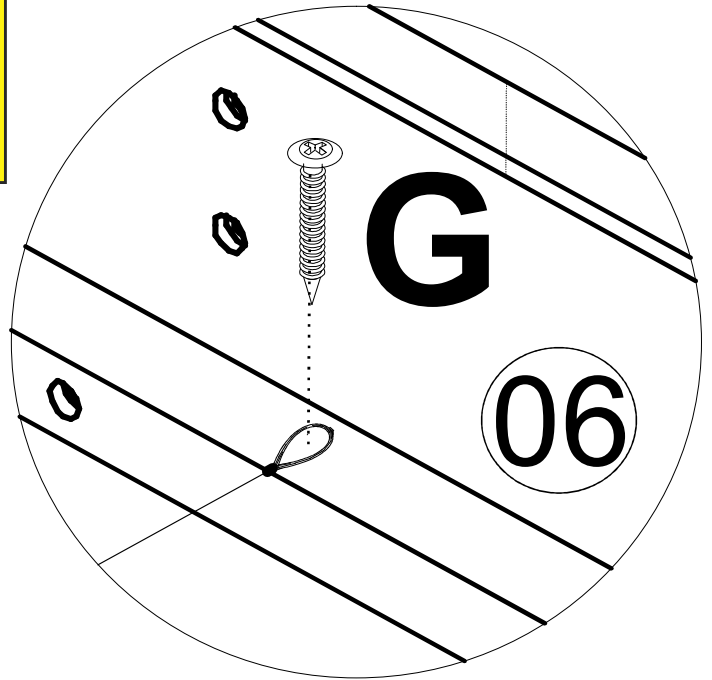
08


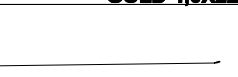
03



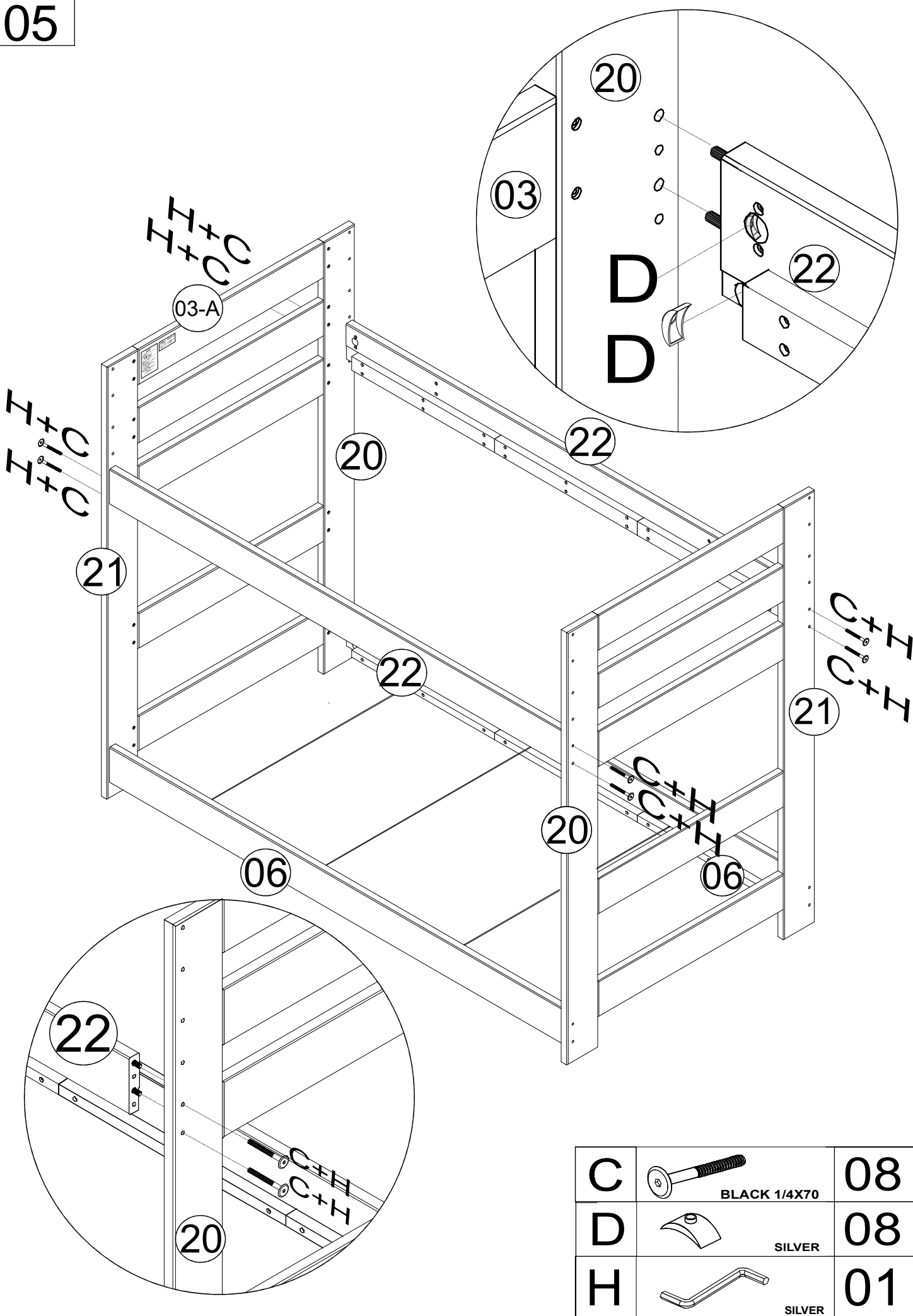
C	 BLACK 1/4X70	08
D	 SILVER	08
H	 SILVER	01

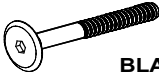

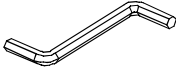
Bed wires are not to be used as a foundation. Their purpose is to keep the mattress from falling through bed frame. A separate bunkie board, slat kit, plywood or innerspring mattress must be used for a foundation.



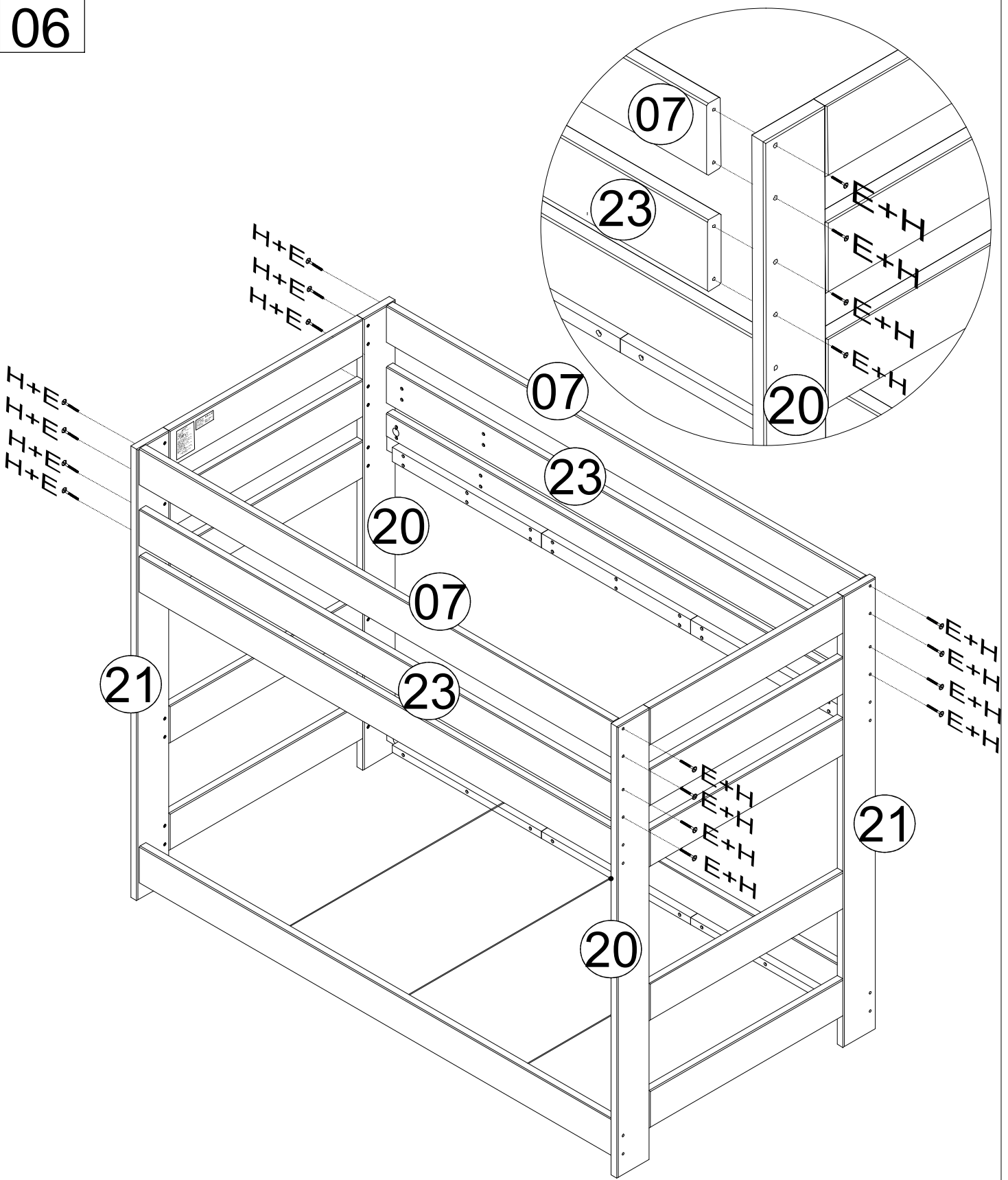
G	 GOLD 4,0X22	06
I	 SILVER	03


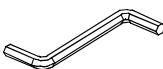
05



C	 BLACK 1/4X70	08
D	 SILVER	08
H	 SILVER	01

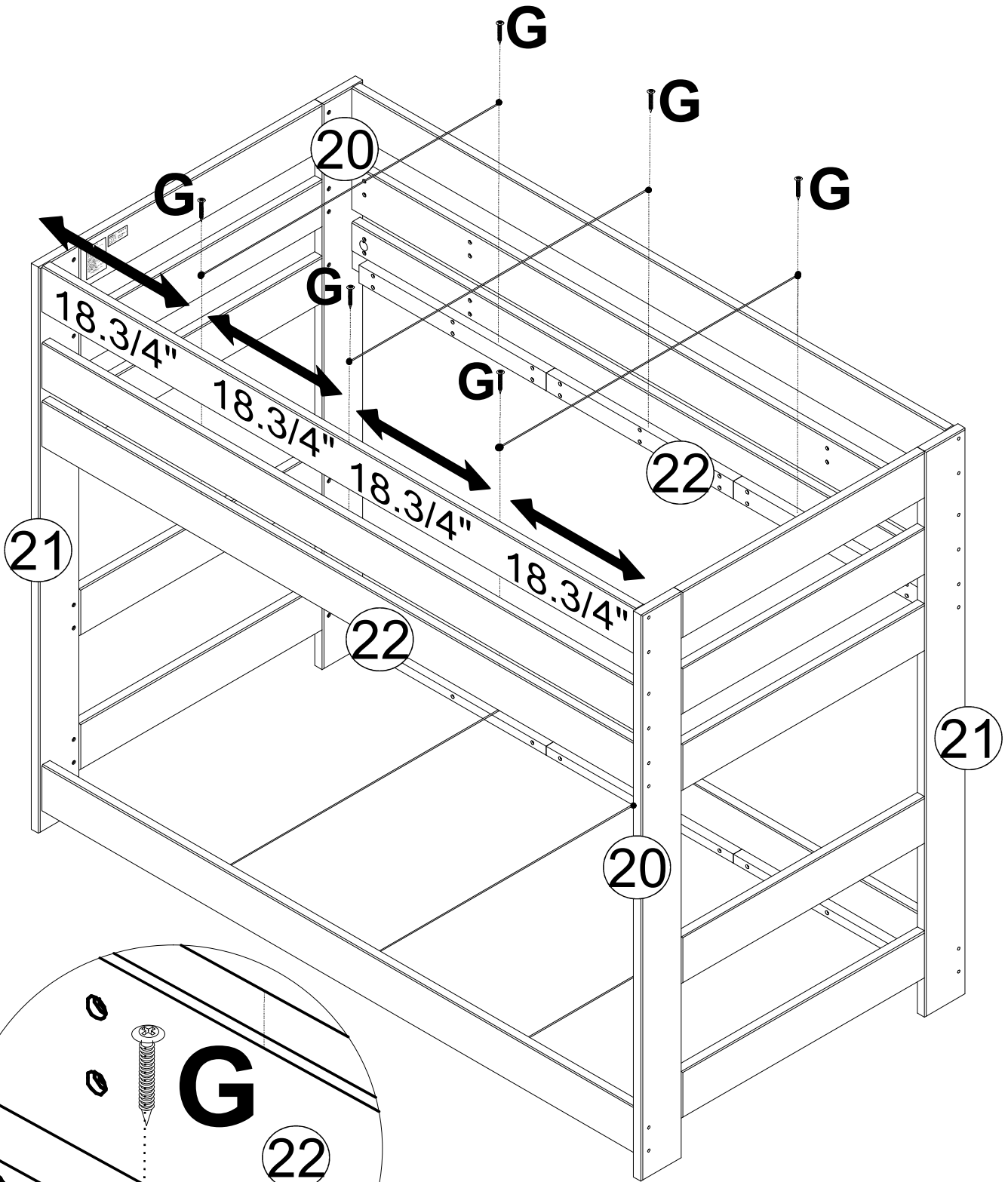
06





E	 BLACK 7x70	16
H	 SILVER	01

07

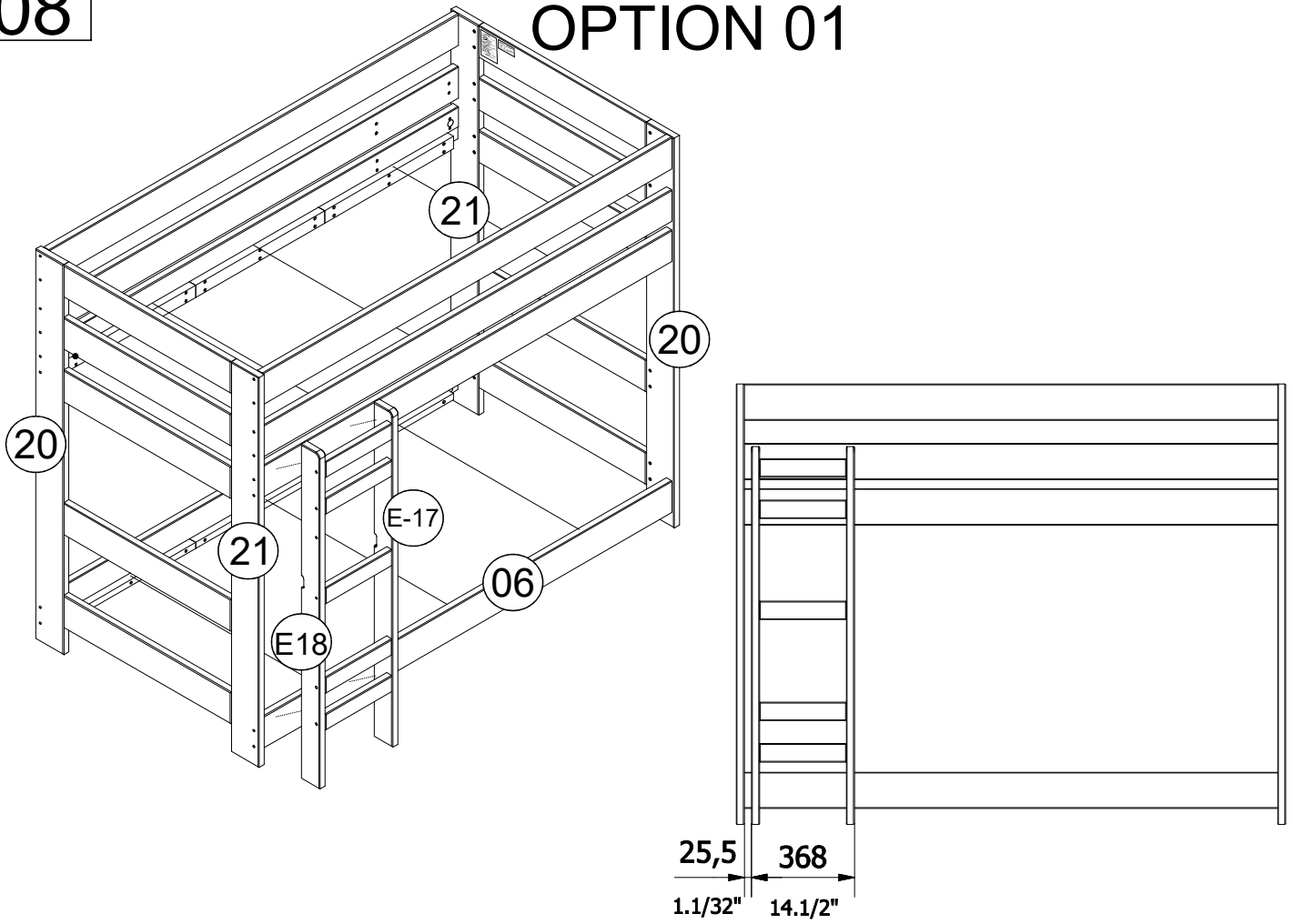
Bed wires are not to be used as a foundation.
Their purpose is to keep the mattress from
falling through bed frame.
A separate bunkie board, slat kit, plywood or
innerspring mattress must be used for a foundation.



G	 GOLD 4,0X22	06
I	 SILVER	03

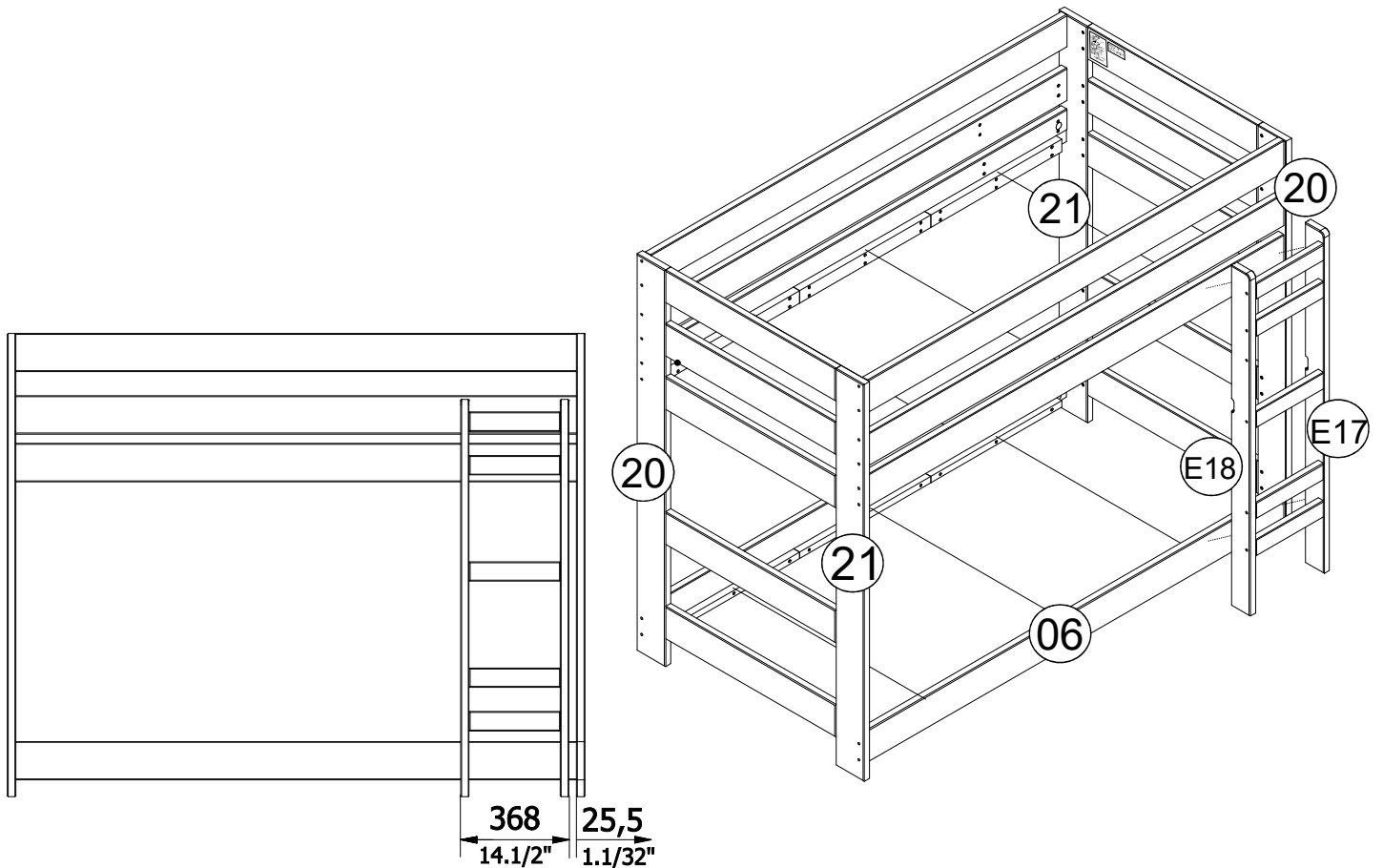
08

OPTION 01



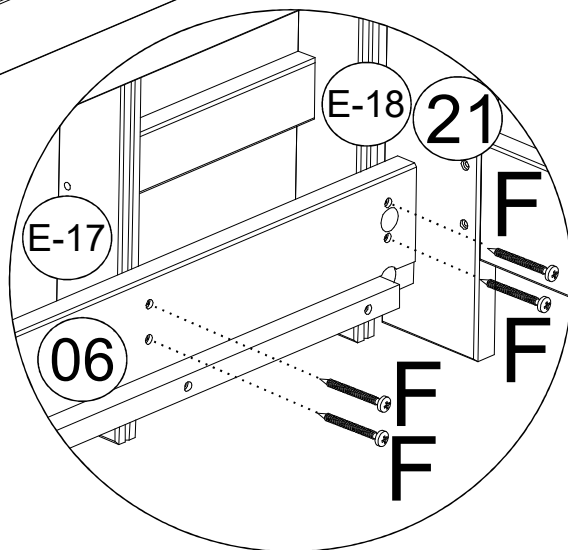
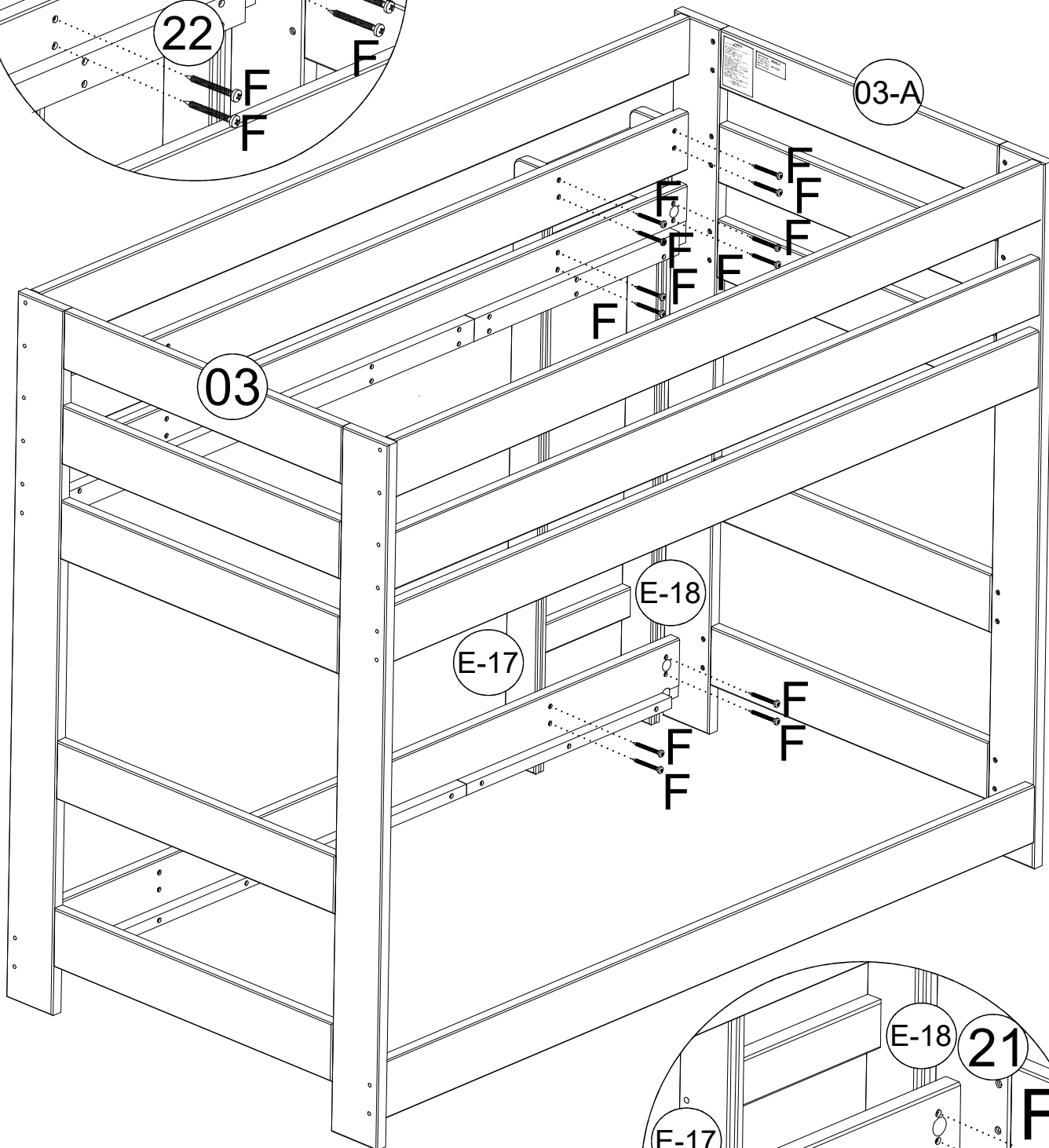
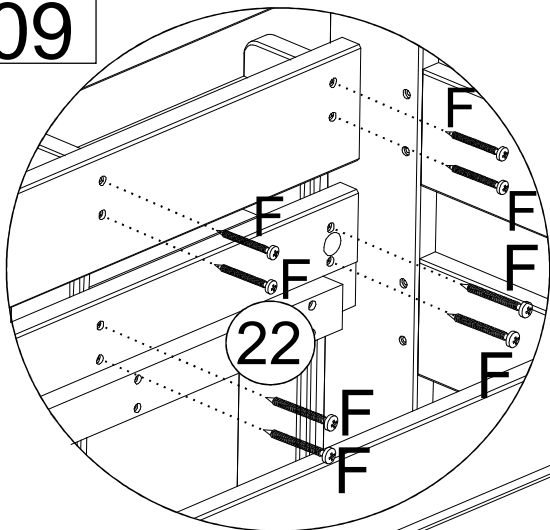
08A

OPTION 02



09

OPTION 01



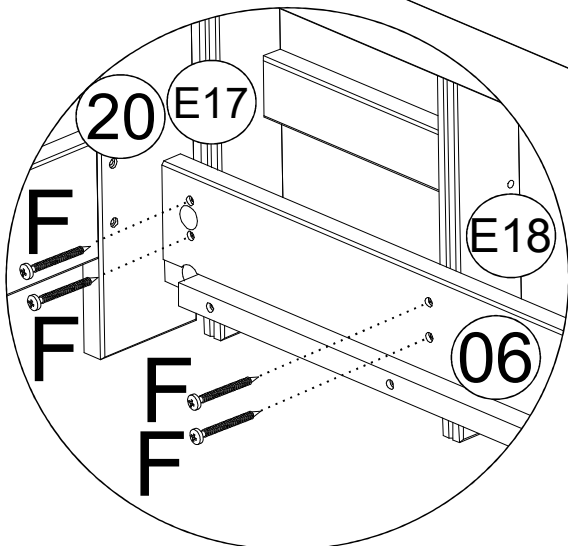
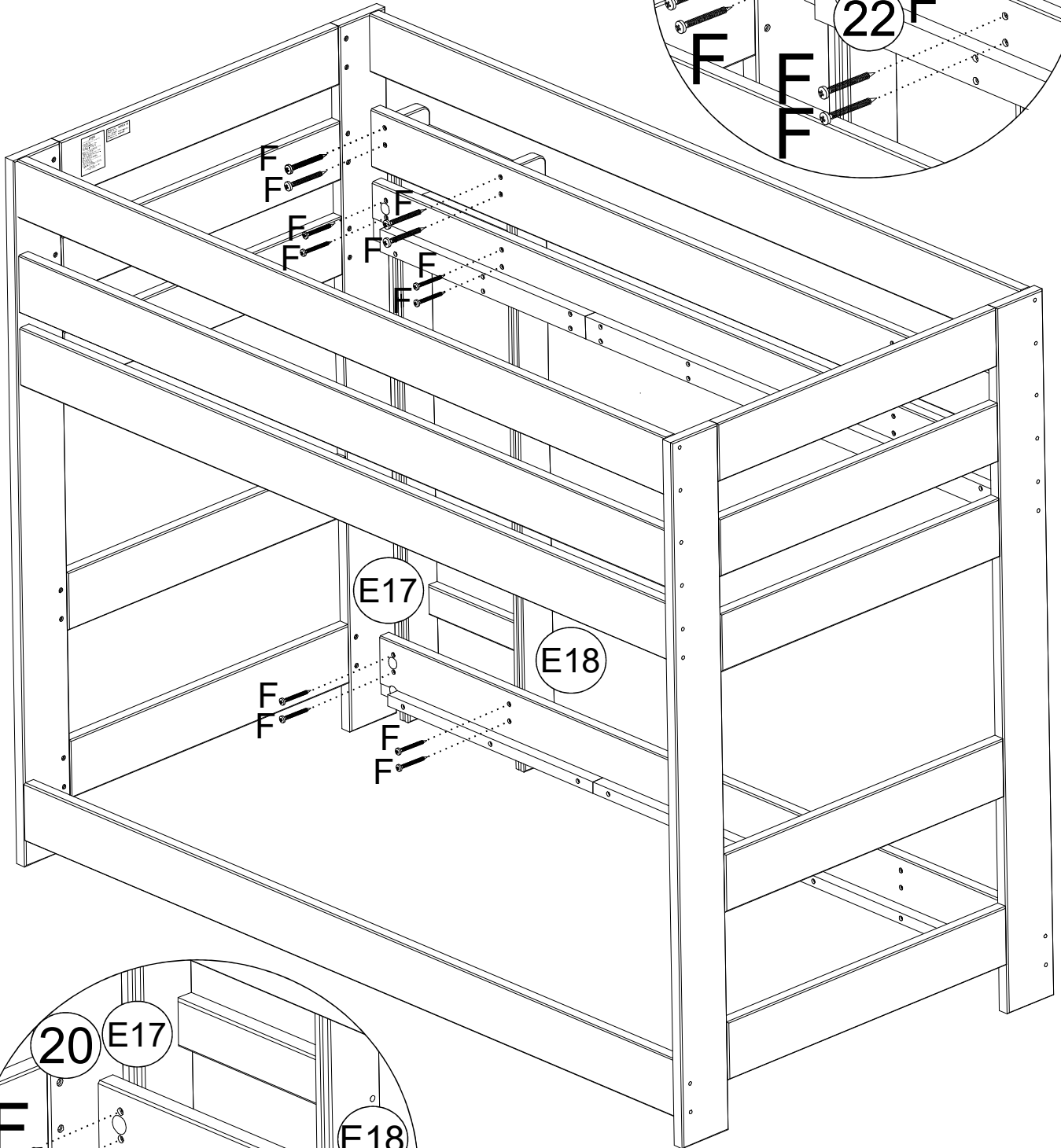
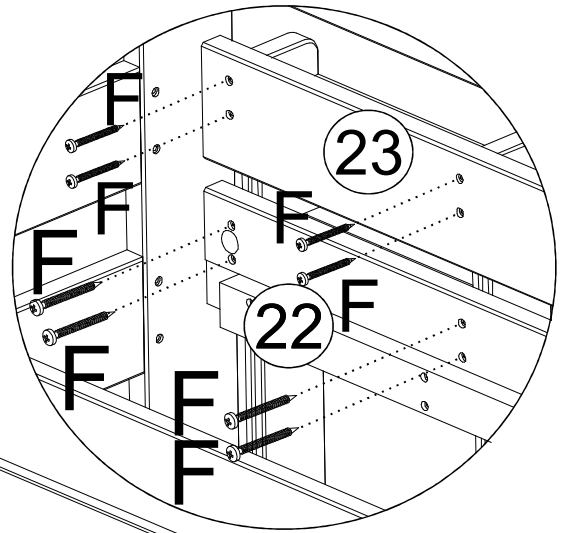
F




GOLD 04X50

12

09A OPTION 02



F	 GOLD 4,5X50	12
---	--	----