

# EF Series Frame

## 90 Minute Fire-rated Frame

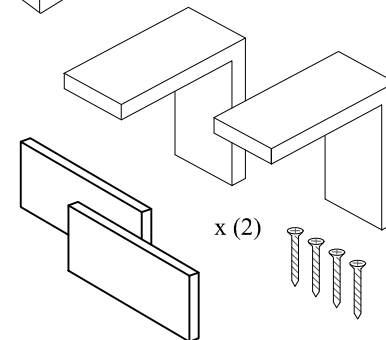
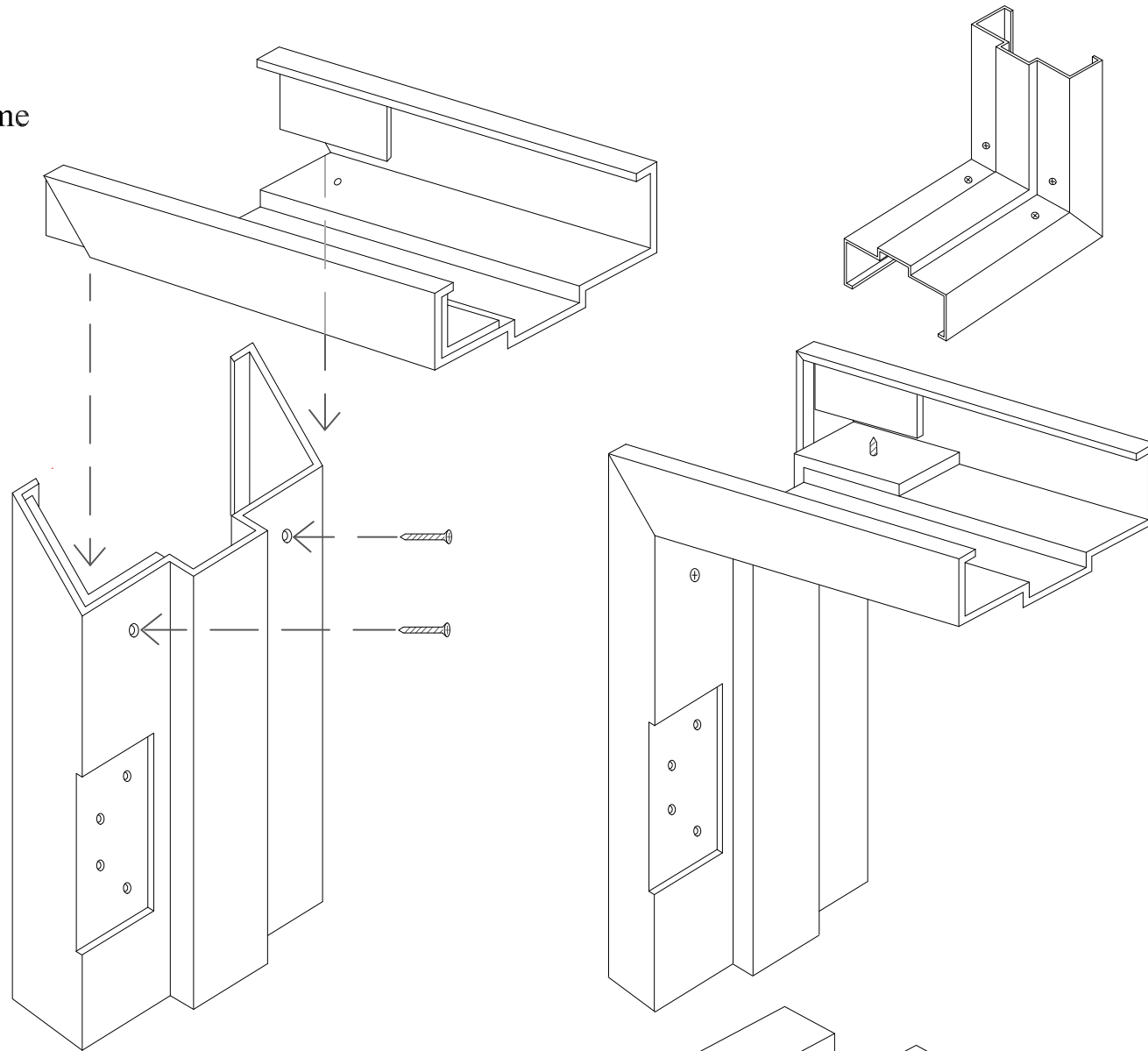
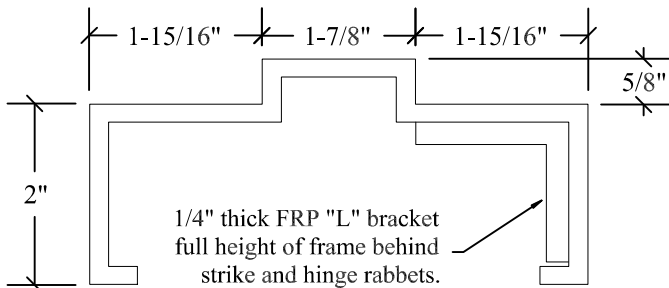
### Specifications

Frames for E-F (fire) series fiberglass frames to be manufactured from 0.1875 inch (4.8mm) thick fiberglass pultrusions by Edgewater Door Neenah, Wisconsin. Profile shall be of standard hollow metal type, for installation into masonry poured/block walls only. Frames fabricated with mitered corners, drilled and countersunk for #12 wood screws. Supplied with (4) FRP corner brackets to be installed in frame rabbets and secured with 3/4" stainless wood screws. 45, 60 and 90 minute doors are supplied with 90 minute FRP frames. Labeled frames meet Intertek listings and approvals. It is the End User's responsibility to ensure all components used in the openings meet or exceed the fire ratings required.

Frames will be machined for ANSI hardware preps, unless specified

Knock down frames are supplied with (2) 1-1/2"x3" equal leg FRP angle (2) 1-1/2"x3"x3/16" FRP plates and 3/4" stainless steel screws

5-3/4" x 2" profile (standard)



\*Custom profiles are available, minimum jamb depth = 3-7/8" maximum jamb depth = 8-3/4"

Certified to: NFPA 252, UL10C



Intertek