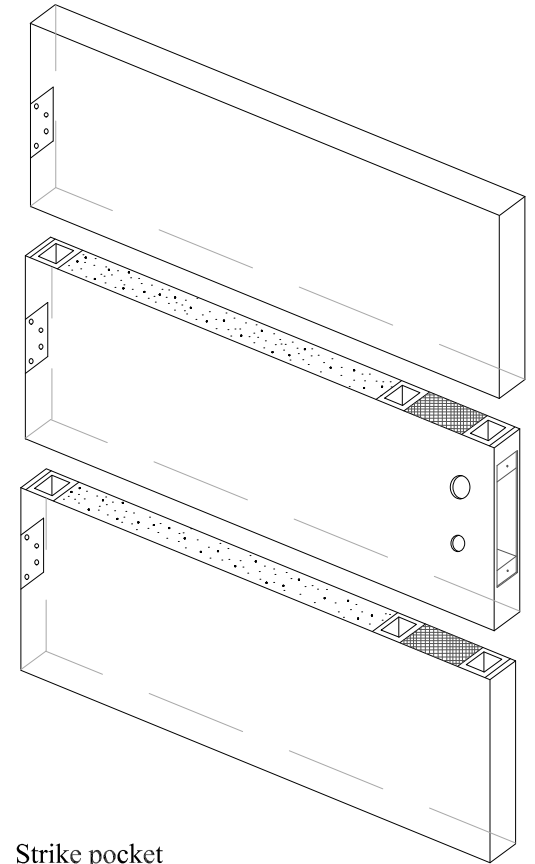
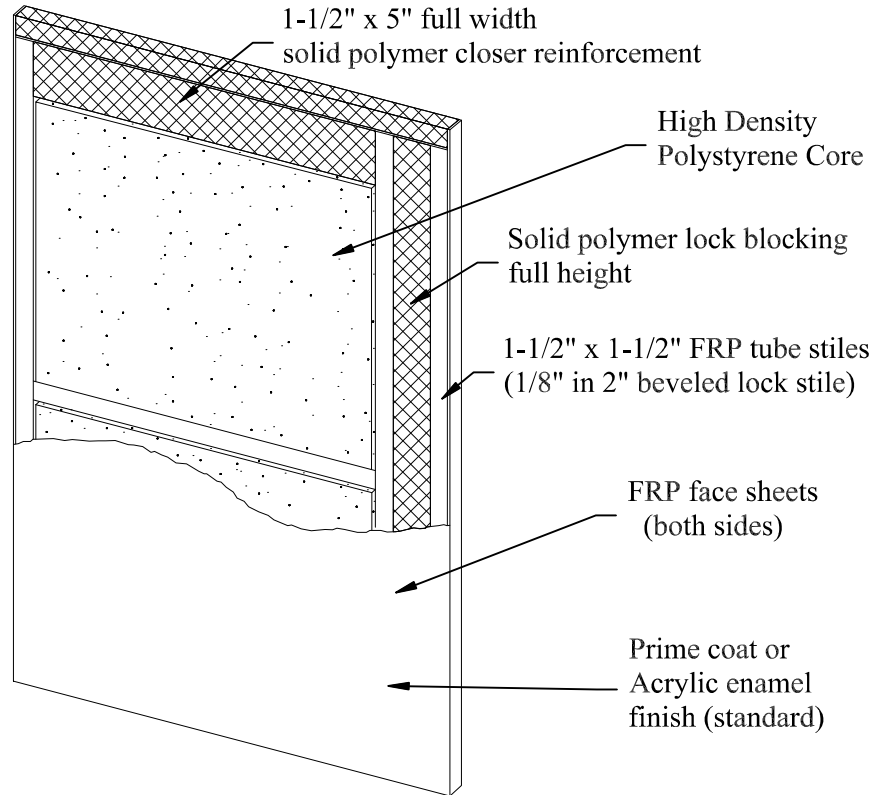


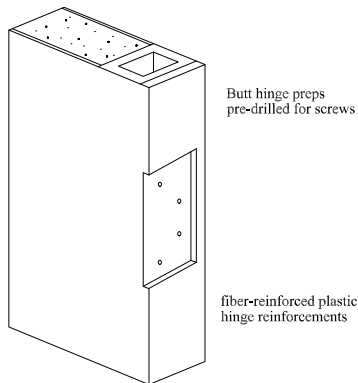
Hurricane rated door

Specifications

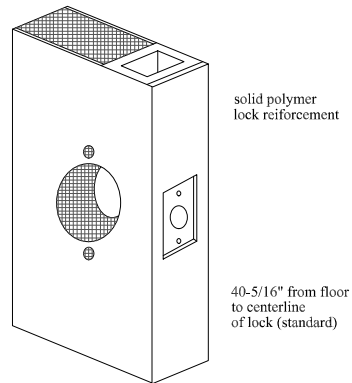
Doors shall be EH series Manufactured by Edgewater Door, Neenah, Wisconsin. Doors shall be of full flush construction 1-3/4" in thickness, manufactured utilizing polyethylene and fiberglass components for flexibility, durability, superior strength and chemical resistance. Laminated composite door faces shall be resin fused to the stile and rail assembly, including the entire surface area of core material, utilizing a two-part 100 percent reactive urethane adhesive and then cured under pressure until completely bonded. Both lock and hinge stiles and top and bottom rails of the door shall be filled and ground smooth for a completely sealed construction. Doors shall have a beveled (1/8" in 2") lock edge. Labeled doors meet NAMI listings and approvals. It is the End User's responsibility to ensure all components used in the opening meet or exceed the hurricane ratings required.



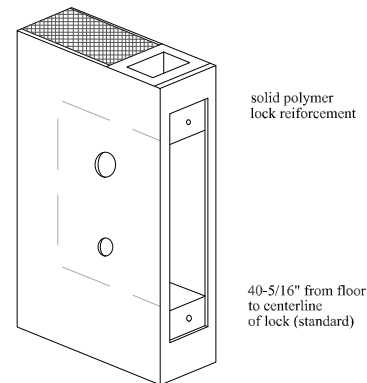
Hinge pockets standard or heavy weight



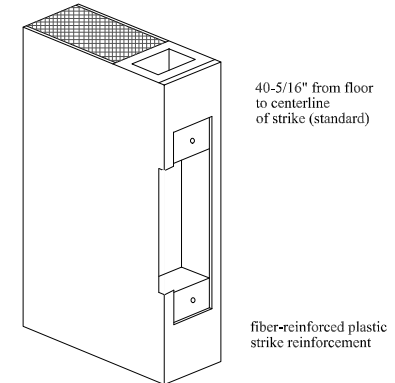
161 or 161TB cylindrical prep



86 Mortise lock prep per function



Strike pocket



Doors machined for ANSI preps, unless specified in hardware schedule thru-bolting closers & wood screws recommended for hardware installation

Tests performed to meet Florida building codes FBC and Texas TDI requirements
ADA compliance - single point latching on single doors

ASTM E283 air infiltration
ASTM E331 water infiltration
ASTM E330 structural wind load 30 PSF over design pressure 105 PSF

ASTM E1886 / 1996 cyclic wind load for design pressure of +/- 70 PSF
ASTM E1886 / 1996 large missile impact level D



Intertek



DRAWING NAME:

EH SERIES DOOR

FOR MORE INFORMATION
CALL 920-886-1995
OR VISIT US AT
edgewaterdoor.com

DATE: 6/2022	SCALE: NONE	REV: 0 DATE:
-----------------	----------------	-----------------

DRAWN BY: Chris Martin	PAGE: 1 of 1
---------------------------	-----------------