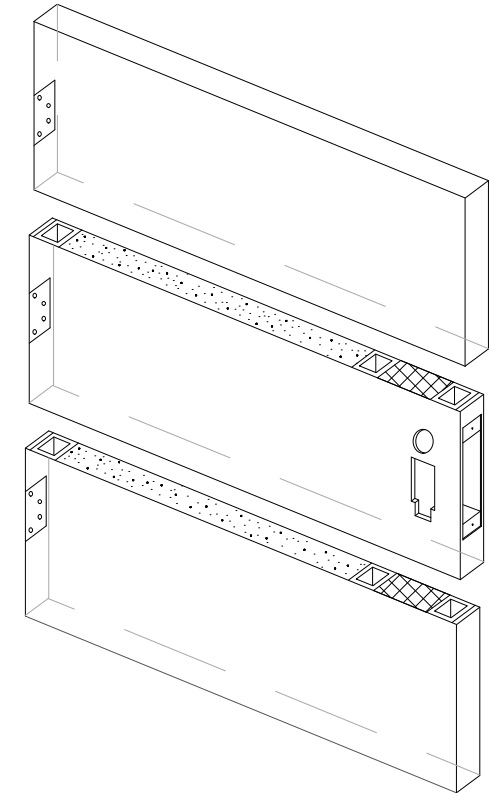
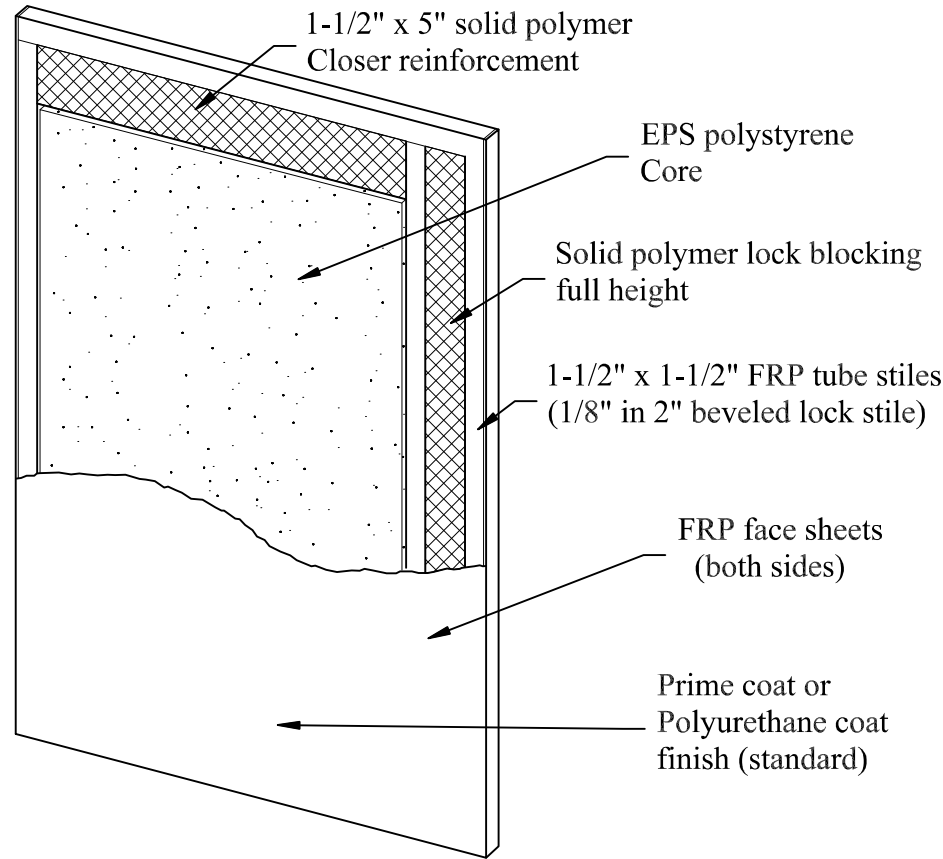


EH Series
Hurricane rated door

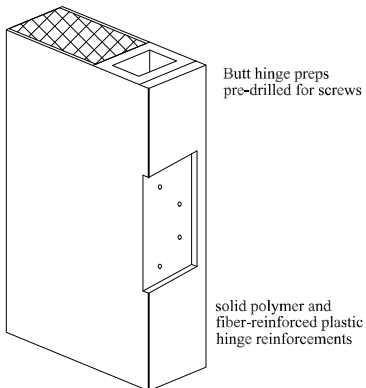
Specifications

Doors shall be EH series Manufactured by Edgewater Door, Neenah, Wisconsin. Doors shall be of full flush construction 1-3/4" in thickness, manufactured utilizing polyethylene and fiberglass components for flexibility, durability, superior strength and chemical resistance. Laminated composite door faces shall be resin fused to the stile and rail assembly, including the entire surface area of core material, utilizing a two-part 100 percent reactive urethane adhesive and then cured under pressure until completely bonded. Both lock and hinge stiles and top and bottom rails of the door shall be filled and ground smooth for a completely sealed construction. Doors shall have a beveled (1/8" in 2") lock edge. Labeled doors meet Intertek listings and approvals. It is the End User's responsibility to ensure all components used in the opening meet or exceed the hurricane ratings required.

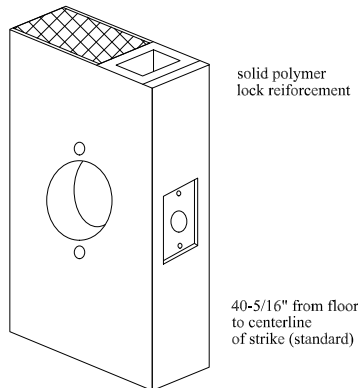
Doors will be machined for ANSI hardware preps, unless specified



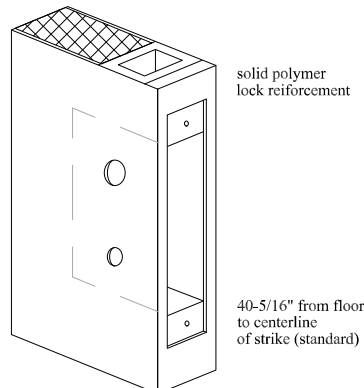
Door hinge prep



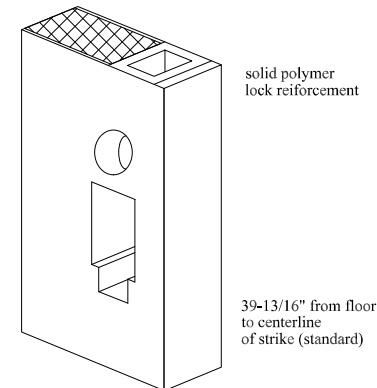
161 or 161TB cylindrical prep



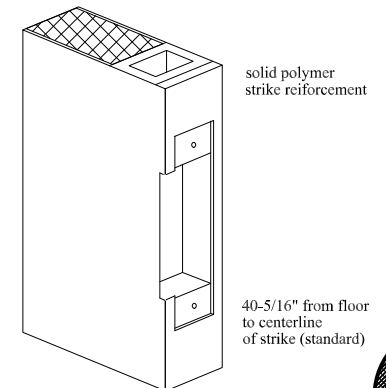
86 Mortise lock prep per function



Panic device prep per function



478 ASA strike prep for inactive door



Tests performed to meet Florida building codes FBC and Texas TDI requirements

ADA compliance - single point latching on single doors

ASTM E283 air infiltration
 ASTM E331 water infiltration
 ASTM E330 structural wind load 30 PSF over design pressure 105 PSF
 ASTM E1886 / 1996 cyclic wind load for design pressure of +/- 70 PSF
 ASTM E1886 / 1996 large missile impact level D

