

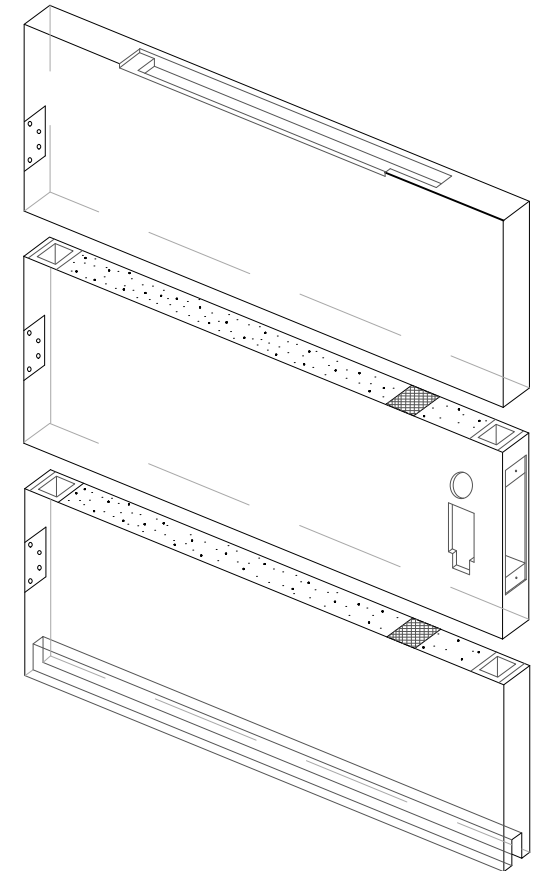
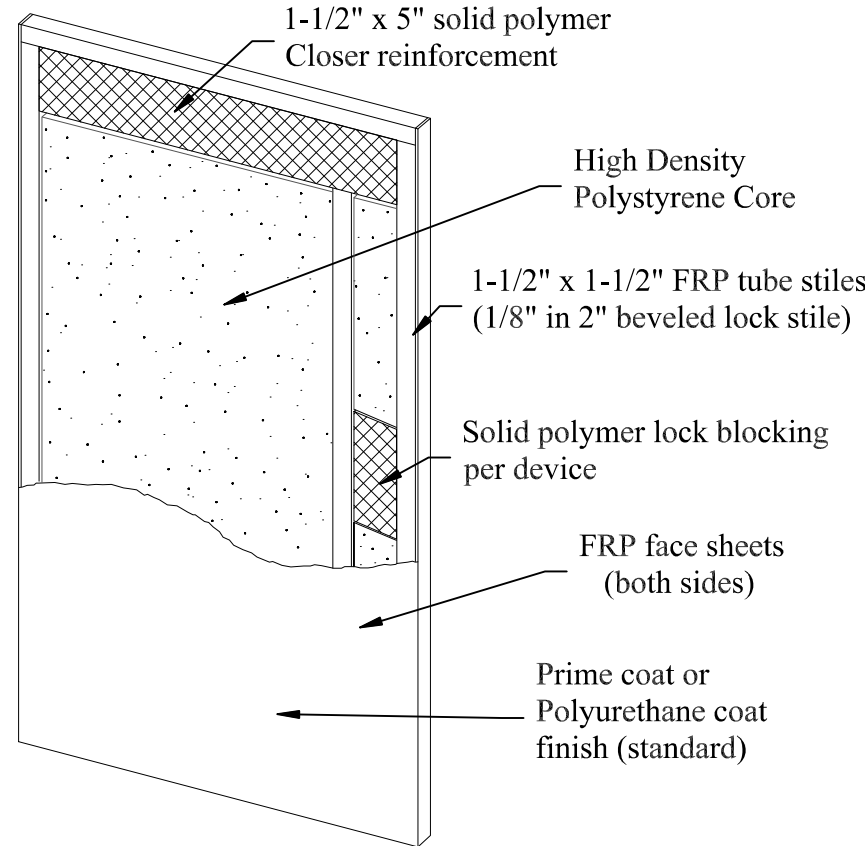
ES Series

Please note: FRP astragals supplied by Edgewater Door only if noted on order.

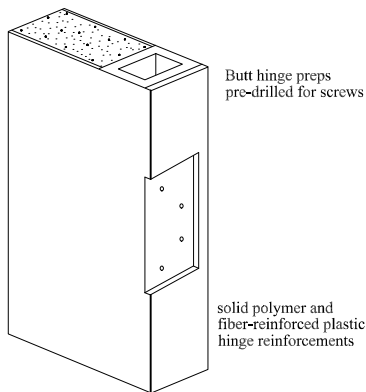
Specifications

Doors shall be ES series Manufactured by Edgewater Door, Neenah, Wisconsin. Doors shall be of full flush construction 1-3/4" in thickness, manufactured utilizing polyethylene & fiberglass components for flexibility, durability, superior strength and chemical resistance. Laminated composite door faces shall be urethane fused to the stile and rail assembly, including the vertical stiffeners and surface area of core material, utilizing a two-part 100 percent reactive urethane adhesive, and then cured under pressure until completely bonded. Both lock and hinge stiles and top and bottom rails of the door shall be filled and ground smooth for a completely sealed construction. Doors shall have a beveled (1/8" in 2") lock edge.

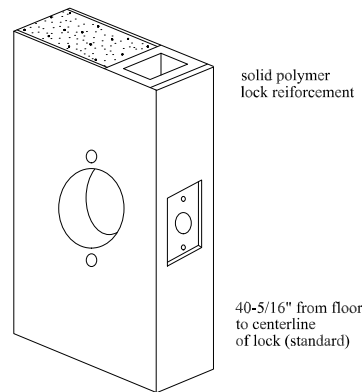
Doors will be machined for ANSI hardware preps, unless specified



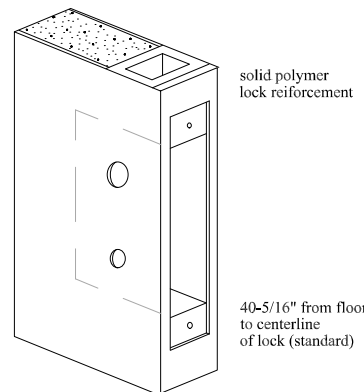
Door hinge prep



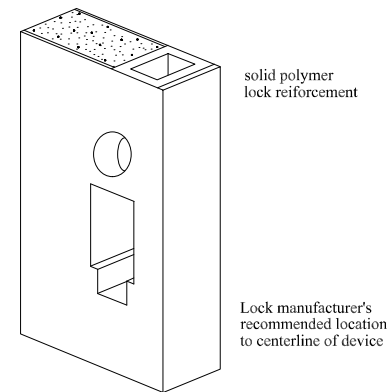
161 or 161TB cylindrical prep



86 Mortise lock prep per function



Panic device prep per function



478 ASA strike prep for inactive door

