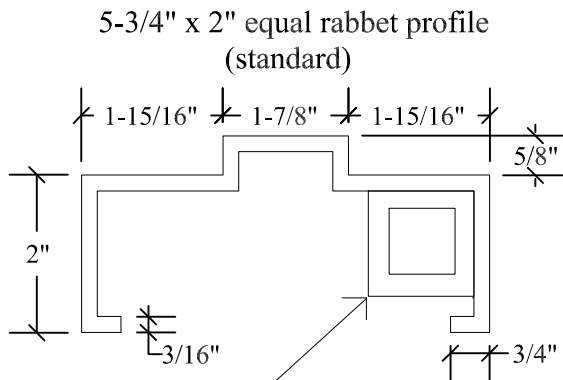


ES & EP SERIES FRP FRAME

Specifications

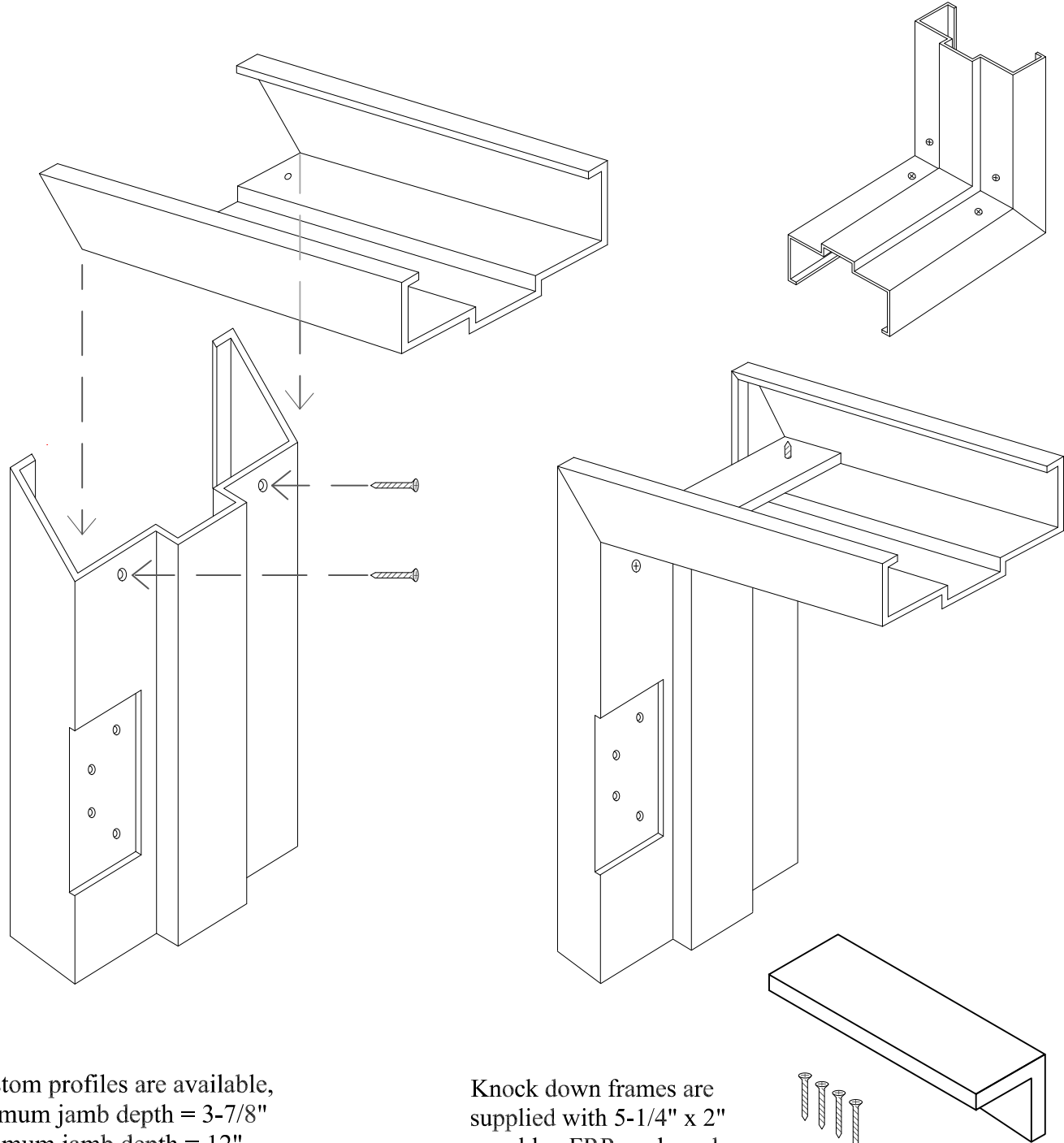
Frames for E-S (standard), and E-P (premier) series fiberglass doors to be manufactured from 0.1875 inch (4.8mm) thick fiberglass pultrusions by Edgewater Door, Neenah, Wisconsin. Profile shall be of standard hollow type to permit installation into new concrete or block walls, as well as slip-on drywall situations. Frames shall be supplied with plaster guards or mortar boxes at back of hardware cutouts where mortar or other materials might obstruct hardware operation. Frames shall be fabricated for field assembly standard.

Frames will be machined for ANSI hardware preps, unless specified



1-1/2" x 1-1/2" x 1/4" Hinge & strike reinforcement

*continuous hinges do not require reinforcement



*Custom profiles are available, minimum jamb depth = 3-7/8" maximum jamb depth = 12"

Knock down frames are supplied with 5-1/4" x 2" equal leg FRP angle and 3/4" stainless steel screws.