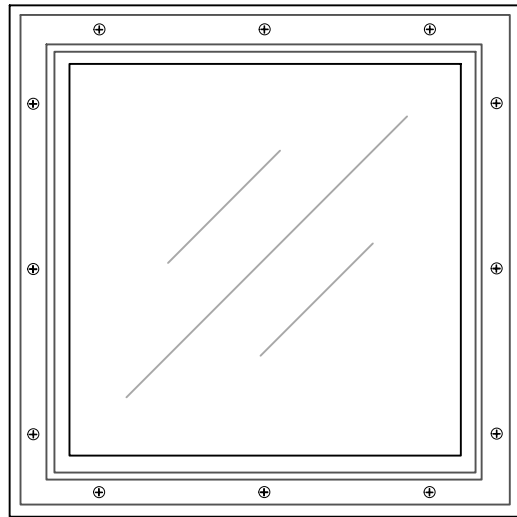
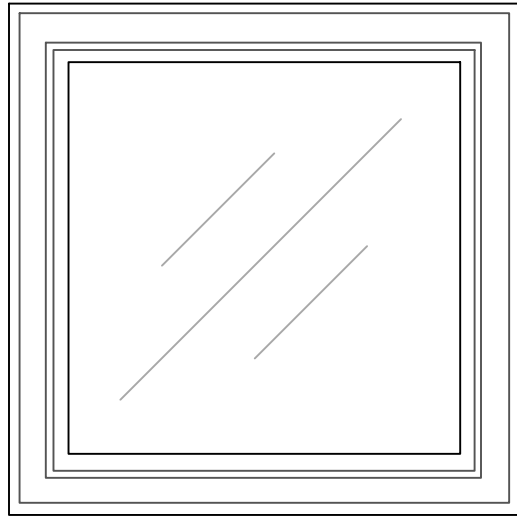
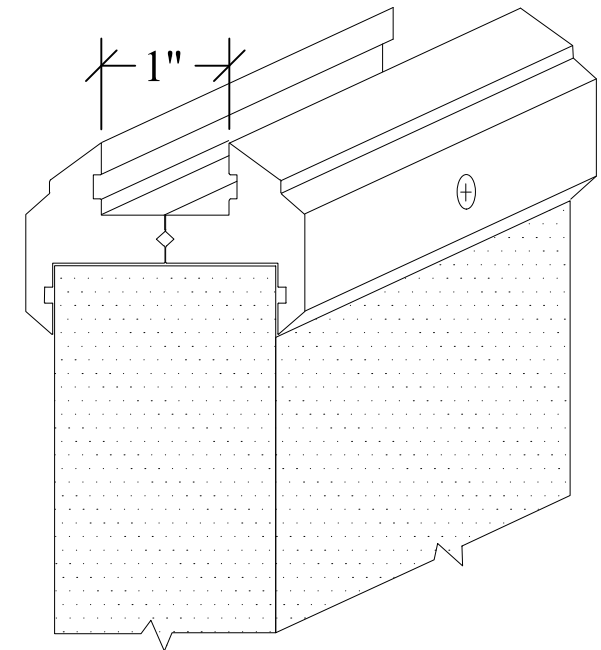
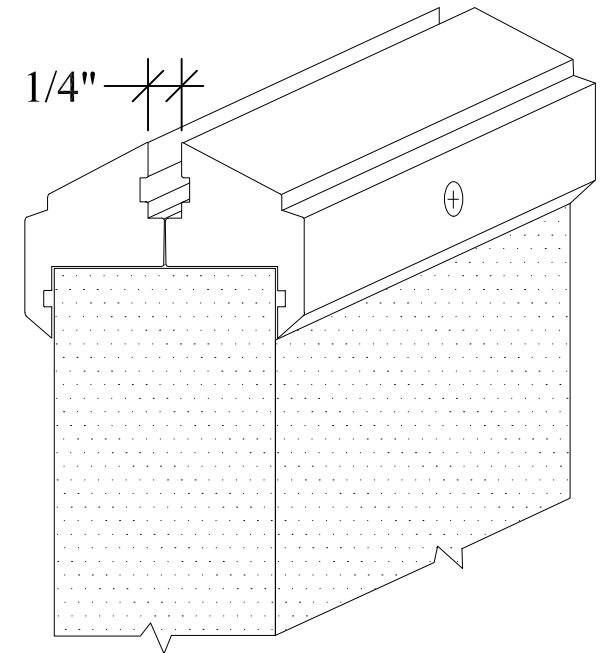


# Vision Kit

PVC kits manufactured to accept  
1/4" or 1" glass  
stainless steel screws included



2-piece kit  
Screws on secure  
side of door only



## Order Information:

- ORDER SIZE = Glass size
- VISIBLE LITE = Order size - 1"
- CUTOUT SIZE = Order size + 1"
- OVERALL KIT = Order size + 2"

Light colors recommended for PVC kits.  
Dark paint may cause heat absorption causing distortion of frame.  
PVC frames not recommended in direct sunlight or where heat build up may occur.